



> Book a test drive



> View offers



> Find a Retailer



> View the Range Guide

GLS



Effective from January 2020 Production.

Mercedes-Benz





> Book a test drive



> View offers



> Find a Retailer



> View the Range Guide

Contents

9 Model lines

21 Introducing MBUX

22 Driving Assistance packages

23 Standard equipment

29 Wheels

30 Off-Road package

31 Colours and materials

37 Technical data

40 Load space dimensions

41 Road Fund Licence

42 Services and insurance

43 Mercedes me

45 Mercedes-Benz Finance



> Book a test drive



> View offers



> Find a Retailer



> View the Range Guide



Presence.

Stunning looks, on or off road.

Some of the model features, optional extras and colours shown may not be available, or may only be available in a different specification.



> Book a test drive



> View offers



> Find a Retailer



> View the Range Guide



Some of the model features, optional extras and colours shown may not be available, or may only be available in a different specification.



> Book a test drive



> View offers



> Find a Retailer



> View the Range Guide

5



Luxurious exploration.

Go anywhere, in style.

Some of the model features, optional extras and colours shown may not be available, or may only be available in a different specification.



> Book a test drive



> View offers



> Find a Retailer



> View the Range Guide



Some of the model features, optional extras and colours shown may not be available, or may only be available in a different specification.



> Book a test drive



> View offers



> Find a Retailer



> View the Range Guide

7

The S-Class of premium SUVs.

Some of the model features, optional extras and colours shown may not be available, or may only be available in a different specification.



> Book a test drive



> View offers



> Find a Retailer



> View the Range Guide



Some of the model features, optional extras and colours shown may not be available, or may only be available in a different specification.



> Book a test drive



> View offers



> Find a Retailer



> View the Range Guide

GLS 400 d AMG Line Premium



GLS 400 d AMG Line Premium

Diesel – 2,925 cc, 6-cylinder, 330 hp/243 kW, 9G-TRONIC transmission, CO₂ 213 g/km^{1,*}

**Basic RRP
excl. VAT**
£60,804.17

**Total RRP
incl. VAT**
£72,965.00

**Road Fund
Licence²**
£1,280.00

**Rec. OTR
price³**
£75,040.00

**P11D
value**
£73,705.00

**BiK tax rate
2019/20**
37%

¹The indicated values were determined according to the prescribed measurement method – Worldwide Harmonised Light Vehicle Test Procedure (WLTP). Figures shown may include options which are not available in the UK

^{*}CO₂ figures have been converted into NEDC-equivalent values for use with the current VED and BIK tax legislation

Figures shown are for comparability purposes; only compare with other cars tested to the same technical procedures. Figures may not reflect real life driving results, which will depend upon a number of factors including factory-fitted options, accessories fitted (post registration), variations in weather, driving styles and vehicle load. Further information about the test used to establish fuel consumption and CO₂ figures can be found at <http://www.mercedes-benz.co.uk/WLTP>

²A different first year rate of Vehicle Excise Duty (Road Fund Licence) applies for new cars. Please refer to page 41 for the relevant rate for the second and subsequent years

³The recommended on-the-road price includes the Road Fund Licence applicable to the standard model plus delivery charge (£715.00 incl. VAT), new vehicle registration fee (£55.00) and number plates (£25.00 incl. VAT). VAT is calculated at the standard rate of 20%



> Book a test drive



> View offers



> Find a Retailer



> View the Range Guide





> Book a test drive



> View offers



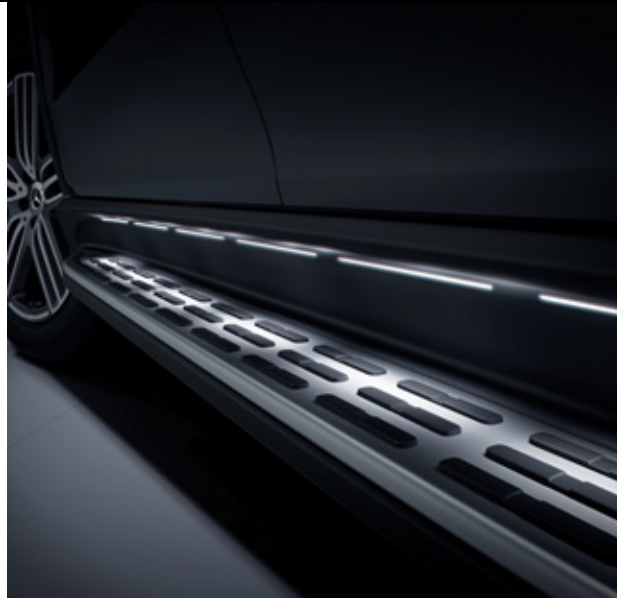
> Find a Retailer



> View the Range Guide



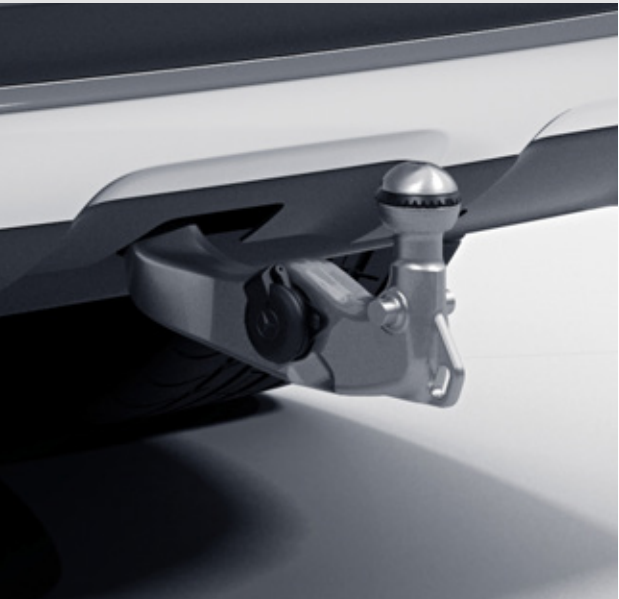
Panoramic sunroof



Illuminated running boards



Burmester® surround sound system



Electrically-operated trailer coupling with Trailer Manoeuvring Assist



AIRMATIC package



Head-up display



If you're looking for truly outstanding features, the GLS 400 d AMG Line Premium delivers. Eye-catching elements include AMG bodystyling, 22" AMG multi-spoke alloy wheels and illuminated running boards with rubber studs. This powerful appearance is matched by smart technology like MULTIBEAM

LED headlights and AIRMATIC air suspension. Inside, you'll find everything to make your journey thoroughly comfortable: a Burmester® surround sound system; ambient lighting; or the ENERGIZING package, which uses fragrance, heating and ambient lighting to enhance well-being.

Exterior

| |
|---|
| KEYLESS-GO Comfort package |
| Parking package with 360° camera |
| 22" AMG multi-spoke alloy wheels |
| AIRMATIC air suspension with Adaptive Damping System ADS PLUS |
| Aluminium-look illuminated running boards with rubber studs |
| AMG bodystyling |
| Electrically-folding trailer coupling with Trailer Manoeuvring Assist |
| Fuel tank with increased capacity |
| Heat-insulating dark-tinted glass |
| MAGIC VISION CONTROL |
| MULTIBEAM LED Headlights with Adaptive Highbeam Assist Plus |
| Panoramic sliding sunroof |
| Soft-close doors and EASY-PACK tailgate |
| Underguard – underbody protection |

Interior

| |
|----------------------------|
| Driving Assistance package |
|----------------------------|

| |
|---|
| ENERGIZING package |
| Memory package – including driver's seat, front passenger seat, steering column and exterior mirrors, all electrically adjustable with memory |
| Additional USB ports |
| Ambient lighting – 64 colours |
| Burmester® surround sound system |
| Dashboard and door beltlines in ARTICO leather ¹ |
| Digital radio |
| Head-up display |
| Heated front and rear seats |
| MBUX augmented reality for navigation |
| MBUX Interior Assistant |
| Multifunction sports steering wheel in nappa leather |
| Seven seats, electrically adjustable |
| Smartphone integration including Apple CarPlay™ and Android Auto™ |

| |
|--|
| THERMOTRONIC – luxury automatic climate control |
| Multi-zone function with separate air distribution settings for driver, front passenger and rear. Three different climate modes: Focused, Medium and Diffuse |

| |
|---|
| Wireless charging and connection via Bluetooth® |
|---|

Trim and Upholstery

| |
|--|
| Brushed aluminium trim with light longitudinal grain |
|--|



Leather – black



Leather – espresso brown/magma grey



Leather – macchiato beige/magma grey



Leather – two-tone truffle brown/black



¹Man-made leather



> Book a test drive



> View offers



> Find a Retailer



> View the Range Guide

GLS 400 d AMG Line Premium Plus



GLS 400 d AMG Line Premium Plus

Diesel – 2,925 cc, 6-cylinder, 330 hp/243 kW,
9G-TRONIC transmission, CO₂ 213 g/km^{1,*}

**Basic RRP
excl. VAT**
£67,679.17

**Total RRP
incl. VAT**
£81,215.00

**Road Fund
Licence²**
£1,280.00

**Rec. OTR
price³**
£83,290.00

**P11D
value**
£81,955.00

**BiK tax rate
2019/20**
37%

¹The indicated values were determined according to the prescribed measurement method – Worldwide Harmonised Light Vehicle Test Procedure (WLTP). Figures shown may include options which are not available in the UK

^{*}CO₂ figures have been converted into NEDC-equivalent values for use with the current VED and BIK tax legislation

Figures shown are for comparability purposes; only compare with other cars tested to the same technical procedures. Figures may not reflect real life driving results, which will depend upon a number of factors including factory-fitted options, accessories fitted (post registration), variations in weather, driving styles and vehicle load. Further information about the test used to establish fuel consumption and CO₂ figures can be found at <http://www.mercedes-benz.co.uk/WLTP>

²A different first year rate of Vehicle Excise Duty (Road Fund Licence) applies for new cars. Please refer to page 41 for the relevant rate for the second and subsequent years

³The recommended on-the-road price includes the Road Fund Licence applicable to the standard model plus delivery charge (£715.00 incl. VAT), new vehicle registration fee (£55.00) and number plates (£25.00 incl. VAT). VAT is calculated at the standard rate of 20%



> Book a test drive



> View offers



> Find a Retailer



> View the Range Guide





> Book a test drive



> View offers



> Find a Retailer



> View the Range Guide



15

MBUX Rear Seat Entertainment System and Exclusive Trim package



Climatised multi-contour front seats with massage functions



Temperature-controlled cup holder in front



True to its name, the GLS 400 d AMG Line Premium Plus amplifies your sense of well-being. Externally, you'll notice 22" AMG multi-spoke alloy wheels, painted black. Inside, you'll enjoy the added comfort of the ENERGIZING Plus package with six selectable programmes. The multi-contour front seats

feature massage functions and comfort headrests. MBUX technology also provides augmented reality for navigation and a Rear Seat Entertainment System. And, for added protection, the Driving Assistance Plus package also comes as standard.

In addition/replacement to GLS AMG Line Premium:

Exterior

22" AMG multi-spoke alloy wheels, painted black

Interior

Driving Assistance Plus package

ENERGIZING Plus package

Exclusive Trim package

- Additional trim elements on the back of the front seat backrests in anthracite open-pore oak wood
- Extended ambient lighting
- Map pockets in ARTICO man-made leather

Climatised multi-contour front seats with massage functions

Comfort front headrests

Heated front and rear armrest

MBUX Rear Seat Entertainment System:

- Two permanently-integrated full-HD 11.6-inch touch-screens with full-HD camera; sound reproduced by loudspeakers, headphones or Bluetooth® headphones; connection options for USB-C, micro-HDMI, headphone jack (3.5 mm) or Bluetooth®. Direct access to
 - MBUX multimedia system: TV/radio/media/Internet
 - communication functions: telephony and video telephony
 - trip information: presentation of navigation and augmented video
 - bookable services: Mercedes me connect
 - own media via screen-mirroring function
 - power seat adjustment

Temperature-controlled cup holder in front

TV receiver

Trim and Upholstery

Anthracite open-pore oak wood trim



Leather – black



Leather – espresso brown/magma grey



Leather – macchiato beige/magma grey



Leather – two-tone truffe brown/black





> Book a test drive



> View offers



> Find a Retailer



> View the Range Guide

GLS 400 d AMG Line Premium Plus Executive



GLS 400 d AMG Line Premium Plus Executive

Diesel – 2,925 cc, 6-cylinder, 330 hp/243 kW,
9G-TRONIC transmission, CO₂ 213 g/km^{1,*}

**Basic RRP
excl. VAT**
£74,554.17

**Total RRP
incl. VAT**
£89,465.00

**Road Fund
Licence²**
£1,280.00

**Rec. OTR
price³**
£91,540.00

**P11D
value**
£90,205.00

**BiK tax rate
2019/20**
37%

¹The indicated values were determined according to the prescribed measurement method – Worldwide Harmonised Light Vehicle Test Procedure (WLTP). Figures shown may include options which are not available in the UK

^{*}CO₂ figures have been converted into NEDC-equivalent values for use with the current VED and BIK tax legislation

Figures shown are for comparability purposes; only compare with other cars tested to the same technical procedures. Figures may not reflect real life driving results, which will depend upon a number of factors including factory-fitted options, accessories fitted (post registration), variations in weather, driving styles and vehicle load. Further information about the test used to establish fuel consumption and CO₂ figures can be found at <http://www.mercedes-benz.co.uk/WLTP>

²A different first year rate of Vehicle Excise Duty (Road Fund Licence) applies for new cars. Please refer to page 41 for the relevant rate for the second and subsequent years

³The recommended on-the-road price includes the Road Fund Licence applicable to the standard model plus delivery charge (£715.00 incl. VAT), new vehicle registration fee (£55.00) and number plates (£25.00 incl. VAT). VAT is calculated at the standard rate of 20%



> Book a test drive



> View offers



> Find a Retailer



> View the Range Guide





> Book a test drive



> View offers



> Find a Retailer



> View the Range Guide



Climatised, massaging multi-contour rear seats with luxury headrests



Heated nappa leather multifunction steering wheel



Luxury centre armrest with removable MBUX tablet and wireless charging



Electric sunblinds in rear doors, left and right



A sight to be seen, the GLS 400 d AMG Line Premium Plus Executive makes a formidable statement with 23" AMG bicolour 5-twin-spoke alloy wheels. The interior is all about sophisticated materials – from the nappa leather dashboard to the luxury centre armrest and headrests, and the high-gloss

anthracite lime wood trim. The nappa leather steering wheel is heated, the rear seats feature massage functions and the third row seats can also be heated. There's no doubt: all seven passengers travel in consummate style.

In addition/replacement to GLS AMG Line Premium Plus:

Exterior

23" AMG 5-twin-spoke alloy wheels, bi-colour design

Interior

Climatised multi-contour rear seats with massage functions

Dashboard and door beltlines in nappa leather

Electric sunblinds in rear doors, left and right

Heated nappa leather multifunction steering wheel

Luxury centre armrest

Luxury rear headrests

MBUX rear tablet

Seat heating for third row seats

Seat on front passenger side electrically adjustable from the rear

Sidebags in rear

Temperature-controlled cup holder in the rear

Wireless charging for mobile phones in the rear

Trim and Upholstery

High-gloss anthracite lime wood trim



Nappa leather – magma grey/black





> Book a test drive



> View offers



> Find a Retailer



> View the Range Guide

Introducing MBUX



MBUX responds to the touchpad, touchscreen, your voice or gesture control



Multi-gesture touchpad control

Introducing MBUX, the new Mercedes-Benz User Experience infotainment system that can be controlled via voice and touch input. The new GLS is the latest model to feature this innovative way of communicating with your Mercedes-Benz.

MBUX (Mercedes-Benz User Experience) infotainment system comprises:

Voice control

- Activated by the keywords “Hey Mercedes”, the new intelligent voice control LINGUATRONIC¹ lets you control many of the infotainment functions, including destination input, phone calls or music selection
- MBUX is able to understand different accents and will adjust to you over time
- MBUX even understands indirect commands. Feeling chilly? Just say “I feel cold” and MBUX will adjust the temperature for you

Personalisation

- Turn the new GLS into your very own Mercedes-Benz by personalising driving modes, radio stations, ambient lighting and much more
- Your personal settings can be saved in up to seven different profiles, making your driving experience the best one possible
- Thanks to artificial intelligence, MBUX is able to learn and adapt over time. It will be able to predict your personal habits, such as navigation for frequently-driven routes, or the radio station you like to listen to on your way home from work

Touch inputs

- Beside voice control you can operate MBUX via touchscreen, the touchpad on the centre console, as well as touch control buttons on the steering wheel
- The touchpad recognises your handwriting should you wish to enter addresses or phone numbers silently

Maintenance and service

- Wondering when the next service is due? Or how much further you can drive until you need to stop at a petrol station? Just ask your MBUX – it will tell you the answer

¹LINGUATRONIC off-board functions are currently only available for three years



> Book a test drive



> View offers



> Find a Retailer

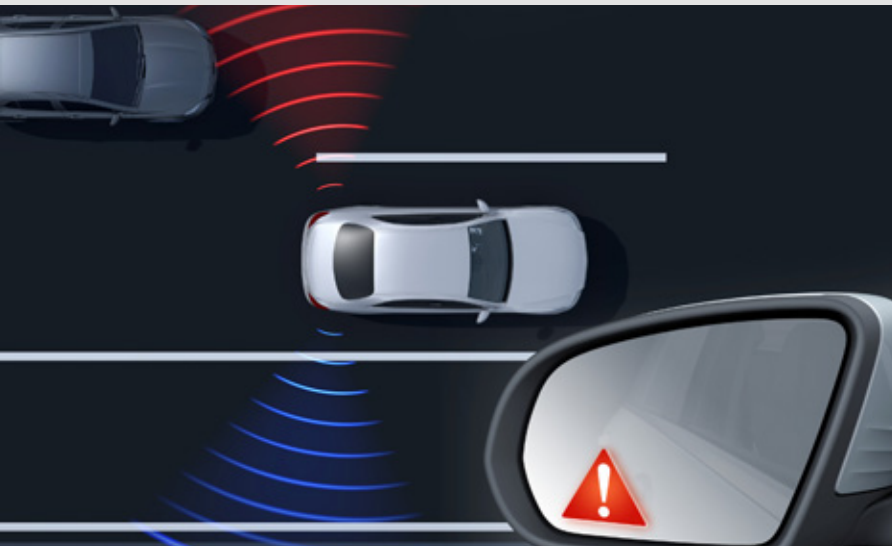


> View the Range Guide

Driving Assistance packages



Active Distance Assist DISTRONIC



Active Blind Spot Assist

Driving Assistance package – standard for AMG Line Premium:

Active Blind Spot Assist

- Exit warning function

Active Braking Assist

- Cornering and Cross-Traffic function
- Congestion emergency braking function

Active Distance Assist DISTRONIC

- Active Speed Limit Assist
- Extended restart function on motorways
- Route-Based Speed Adjustment with end of tailback function

Active Lane Keeping Assist

Active Steering Assist

- Active Lane Changing Assist
- Active Emergency Stop Assist with SOS function
- Emergency lane function

Evasive Steering Assist

Pedestrian warning function near pedestrian crossings

PRE-SAFE® PLUS

Traffic Sign Assist

Driving Assistance Plus package – standard for AMG Line Premium Plus and AMG Line Premium Plus Executive adds:

Active Stop-and-Go Assist

PRE-SAFE® impulse side moves occupants away from doors just before an imminent side impact



Standard equipment

Item

Engine, Transmission and Suspension

| | AMG Line Premium | AMG Line Premium Plus | AMG Line Premium Plus Executive |
|--|------------------|-----------------------|---------------------------------|
| 9G-TRONIC 9-speed automatic transmission with steering column gear selector, steering wheel gearshift paddles (Direct Select) and SPEEDTRONIC cruise control | ● | ● | ● |
| ECO start/stop function | ● | ● | ● |
| DYNAMIC SELECT with a choice of driving modes: Eco, Comfort, Sport and Individual | ● | ● | ● |
| Permanent four-wheel drive | ● | ● | ● |
| Suspension - AIRMATIC air suspension with level adjustment and Adaptive Damping System | ● | ● | ● |

Item

Steering

| | AMG Line Premium | AMG Line Premium Plus | AMG Line Premium Plus Executive |
|--|------------------|-----------------------|---------------------------------|
| Direct Steering | ● | ● | ● |
| Steering column – electrically adjustable with EASY-ENTRY function | ● | ● | ● |
| Steering wheel – 3-spoke multifunction sports steering wheel in black nappa leather, with flattened bottom section, perforated grip area and touch control buttons | ● | ● | – |
| Steering wheel – 3-spoke multifunction sports steering wheel in black nappa leather with touch control buttons | – | – | ● |
| Steering wheel – heated | – | – | ● |



| Item | AMG Line Premium | AMG Line Premium Plus | AMG Line Premium Plus Executive |
|---|------------------|-----------------------|---------------------------------|
| Exterior | | | |
| KEYLESS-GO Comfort package The vehicle can be conveniently unlocked, started and locked – simply by carrying the electronic key | ● | ● | ● |
| Mirror package – including projection of Mercedes-Benz logo integrated into both mirrors Including heated exterior mirrors, automatically-dimming rear view mirror and exterior mirror on driver’s side and electrically-folding exterior mirrors left and right | ● | ● | ● |
| AMG bodystyling – front apron, rear apron and side skirts | ● | ● | ● |
| Active Parking Assist including PARKTRONIC and 360° camera | ● | ● | ● |
| Closing aid for doors and boot lid Power closing ensures smooth and virtually silent closing. Once they have initially engaged, the front and rear doors are automatically drawn closed by servomotors | ● | ● | ● |
| Diesel particulate filter (DPF) | ● | ● | ● |
| EASY-PACK powered tailgate The EASY-PACK boot lid can be opened and closed at the touch of a button for more convenient loading and unloading of the boot | ● | ● | ● |
| Lights – Adaptive Highbeam Assist Plus | ● | ● | ● |
| Lights – Headlight Assist: automatic headlight activation | ● | ● | ● |
| Lights – MULTIBEAM LED | ● | ● | ● |
| Lights – LED tail lights | ● | ● | ● |
| MAGIC VISION CONTROL – adaptive windscreen wiper system, heated | ● | ● | ● |

Standard equipment

| Item | AMG Line Premium | AMG Line Premium Plus | AMG Line Premium Plus Executive |
|---|------------------|-----------------------|---------------------------------|
| Panoramic glass sunroof Consists of a fixed panoramic glass sunroof above the second seat row, and an electrically-operated sliding glass front section with an electrically-operated interior sun blind | ● | ● | ● |
| Privacy glass – heat-insulating tinted glass from B-pillar backwards | ● | ● | ● |
| Rain-sensing wipers | ● | ● | ● |
| Roof rails in chrome look | ● | ● | ● |
| Running boards – illuminated, with rubber studs | ● | ● | ● |
| Tinted glass all round – single-layer safety glass | ● | ● | ● |
| Underguard – reinforced underfloor panelling the full length of the vehicle | ● | ● | ● |

**Standard equipment**

| Item | AMG Line Premium | AMG Line Premium Plus | AMG Line Premium Plus Executive |
|---|------------------|-----------------------|---------------------------------|
| Interior | | | |
| Memory package Front seats, front head restraints, steering column and exterior door mirrors – electrically adjustable with memory. Four-way electric lumbar support for driver and front passenger seat | ● | ● | ● |
| ENERGIZING package – three selectable programmes: Refresh, Vitality and Training Uses a combination of fragrancing, heating and ambient lighting to change the ambience and add to driver well-being | ● | – | – |
| ENERGIZING Plus package – six selectable programmes: Refresh, Vitality, Training, Warmth, Joy and Comfort Uses a combination of fragrancing, heating and cooling, massage functions and ambient lighting to change the ambience and add to driver well-being | – | ● | ● |
| Warmth Comfort package Seat heating plus for the driver and front passenger and for the outer rear seats, heatable armrests for the centre console and the front and rear doors, heatable door centre panels in the front and rear doors | – | ● | ● |
| AIR BALANCE – interior air fragrancing, ionisation and filtration | ● | ● | ● |
| Air conditioning – THERMOTRONIC luxury automatic climate control Five-zone function with separate air distribution settings for driver, front passenger and two for second row and third row seats. Three different climate modes: Focused, Medium and Diffuse | ● | ● | ● |
| Ambient lighting – 64-colour ambient lighting with selectable brightness, dynamic mode, climate effects and welcome effect | ● | ● | ● |

| Item | AMG Line Premium | AMG Line Premium Plus | AMG Line Premium Plus Executive |
|---|------------------|-----------------------|---------------------------------|
| Centre armrests – front, with stowage compartment | ● | ● | ● |
| Centre armrests – rear, folding | ● | ● | – |
| Centre armrests – widened luxury centre armrest | – | – | ● |
| Cup holders – front (2) | ● | – | – |
| Cup holders – front: temperature-controlled for driver and front passenger (2) | – | ● | ● |
| Cup holders – rear (2) | ● | ● | – |
| Cup holder – rear: temperature-controlled (1) | – | – | ● |
| Door sills – front door sill panels with ‘Mercedes-Benz’ lettering illuminated in white | ● | ● | ● |
| Floor mats – AMG floor mats with edging and embroidered ‘AMG’ lettering | ● | ● | ● |
| Headrests – comfort front headrests | – | ● | ● |
| Headrests – luxury rear headrests (outer seats) | – | – | ● |
| Reading lights – front and rear | ● | ● | ● |
| Seats – front seats: heated | ● | – | – |
| Seats – front seats: climatised | – | ● | ● |
| Seats – front seats: multi-contour seats with massage function | – | ● | ● |
| Seats – rear seats, second row: heated | ● | ● | – |
| Seats – rear seats, second row: climatised | – | – | ● |



| Item | Standard equipment | | |
|---|--------------------|-----------------------|---------------------------------|
| | AMG Line Premium | AMG Line Premium Plus | AMG Line Premium Plus Executive |
| Interior (continued) | | | |
| Seats – rear seats, second row: multi-contour seats with massage function | - | - | ● |
| Seats – rear seats, third row: electrically folding and raising with EASY-ENTRY system power release This system facilitates access to the third seat row from both sides at the touch of a button. The backrests and bench seat of the second row of seats can be folded forward electrically. Pressing these switches causes the head restraints to retract electrically, while the backrests fold down. The bench seat is then folded forward | ● | ● | ● |
| Seats – rear seats, third row: heated | - | - | ● |
| Sports pedals in brushed stainless steel with rubber studs | ● | ● | ● |
| Stowage – EASY-PACK load compartment cover (removable) | ● | ● | ● |
| Stowage – load-securing rings (6) | ● | ● | ● |
| Sun blinds – electrically-operated sun blinds in rear side windows | - | - | ● |
| Sun visors – double sun visors with illuminated vanity mirrors | ● | ● | ● |

| Item | Standard equipment | | |
|---|--------------------|-----------------------|---------------------------------|
| | AMG Line Premium | AMG Line Premium Plus | AMG Line Premium Plus Executive |
| Paint, Trim and Upholstery | | | |
| Paint – metallic | ● | ● | ● |
| Trim – brushed aluminium trim with light longitudinal grain | ● | - | - |
| Trim – anthracite open-pore oak wood trim | - | ● | - |
| Trim – high-gloss anthracite lime wood trim | - | - | ● |
| Upholstery – beltlines on doors in ARTICO man-made leather | ● | ● | - |
| Upholstery – beltlines on doors in nappa leather | - | - | ● |
| Upholstery – dashboard, upper and lower, in ARTICO man-made leather | ● | ● | - |
| Upholstery – dashboard, upper and lower, in nappa leather | - | - | ● |
| Upholstery – door centre panels in nappa leather | - | - | ● |
| Upholstery – leather | ● | ● | - |
| Upholstery – nappa leather | - | - | ● |



| Item | AMG Line Premium | AMG Line Premium Plus | AMG Line Premium Plus Executive |
|---|------------------|-----------------------|---------------------------------|
| Safety and Assistance Systems | | | |
| Driving Assistance package | ● | - | - |
| Driving Assistance Plus package | - | ● | ● |
| Active bonnet – pedestrian safety measure | ● | ● | ● |
| Airbags – driver and front passenger | ● | ● | ● |
| Airbags – driver’s kneebag | ● | ● | ● |
| Airbags – front sidebags | ● | ● | ● |
| Airbags – rear sidebags, left and right | - | - | ● |
| Airbags – windowbags | ● | ● | ● |
| Alarm system with immobiliser and interior protection (Thatcham category 1) | ● | ● | ● |
| Anti-lock braking system (ABS) with Brake Assist (BAS) | ● | ● | ● |
| ATTENTION ASSIST Continuously analyses driver behaviour and steering movements. If patterns are recognised which characterise drowsiness, the driver is prompted to take a break, and an audible warning is sounded. At the same time COMAND Online offers to locate a rest stop | ● | ● | ● |
| Automatic child seat recognition sensor | ● | ● | ● |
| Braking – adaptive Brake Assist with HOLD function, Hill Start Assist, priming and dry braking in the wet | ● | ● | ● |
| Braking – adaptive brake lights | ● | ● | ● |
| Braking – electric parking brake | ● | ● | ● |

● Standard - Not available

Standard equipment

| Item | AMG Line Premium | AMG Line Premium Plus | AMG Line Premium Plus Executive |
|---|------------------|-----------------------|---------------------------------|
| Braking – Electronic Stability Programme (ESP®) with Acceleration Skid Control (ASR) | ● | ● | ● |
| Braking – third brake light, LED technology | ● | ● | ● |
| Crosswind Assist Detects sudden, strong gusts of wind and helps the driver stay in lane by means of targeted braking | ● | ● | ● |
| Four-wheel Electronic Traction System (4ETS) | ● | ● | ● |
| Hill-Start Assist | ● | ● | ● |
| Parking – Parking Pilot with 360° camera The Parking Pilot makes finding a parking space as well as parking in and leaving parallel or on-end parking spaces easier. The 360° camera enables parking and manoeuvring with a realistic all-round view thanks to the interaction of four networked cameras | ● | ● | ● |
| Remote central locking | ● | ● | ● |
| Seats – i-Size child seat fixing points (two outer second row seats and two third row seats) | ● | ● | ● |
| Service indicator ASSYST | ● | ● | ● |
| Trailer coupling – electrically folding with ESP® trailer stabilisation | ● | ● | ● |
| Trailer Manoeuvring Assist - Assist system - Articulation angle sensor in ball head of the trailer coupling - Rotating magnetic ring on ball coupling | ● | ● | ● |
| Tyre pressure monitoring system | ● | ● | ● |



| Item | AMG Line Premium | AMG Line Premium Plus | AMG Line Premium Plus Executive |
|---|------------------|-----------------------|---------------------------------|
| Communications and In-Car Entertainment | | | |
| Burmester® surround sound system | ● | ● | ● |
| DAB digital radio tuner | ● | ● | ● |
| Head-up display | ● | ● | ● |
| MBUX augmented reality for navigation | ● | ● | ● |
| MBUX Interior Assistant | ● | ● | ● |
| MBUX Rear Seat Entertainment system: Two permanently-integrated full-HD 11.6-inch touchscreens with full-HD camera; sound reproduced by loudspeakers, headphones or Bluetooth® headphones; connection options for USB-C, micro-HDMI, headphone jack (3.5 mm) or Bluetooth®. Direct access to <ul style="list-style-type: none"> - MBUX multimedia system: TV/radio/media/Internet - communication functions: telephony and video telephony - trip information: presentation of navigation and augmented video - bookable services: Mercedes me connect - own media via screen-mirroring function - power seat adjustment | - | ● | ● |
| MBUX removable rear tablet with 7-inch screen diagonal and camera function Docking station in high-gloss black for storage and charging Compatible with apps from the Google Play Store | - | - | ● |
| Smartphone integration Connects mobile phone with the multimedia system wirelessly via Apple CarPlay™ and Android Auto™ | ● | ● | ● |

| Item | AMG Line Premium | AMG Line Premium Plus | AMG Line Premium Plus Executive |
|---|------------------|-----------------------|---------------------------------|
| Standard equipment | | | |
| TV receiver | - | ● | ● |
| USB ports – additional type C USB ports: <ul style="list-style-type: none"> - one data-enabled USB port in the oddments tray - two USB ports capable of charging in the centre console (5 V) - two USB ports capable of charging in the second seat row (5 V) - two USB ports capable of charging in the third seat row (5 V) | ● | ● | ● |
| Wireless charging – front | ● | ● | ● |
| Wireless charging – rear | - | - | ● |



> Book a test drive



> View offers



> Find a Retailer



> View the Range Guide

Wheels



RPA 22" AMG alloy wheels (4) – multi-spoke design, painted titanium grey
front: 285/45 tyres; rear: 325/40 tyres

| | |
|---------------------------------|---|
| AMG Line Premium | ● |
| AMG Line Premium Plus | - |
| AMG Line Premium Plus Executive | - |



RPB 22" AMG alloy wheels (4) – multi-spoke design, painted black
front: 285/45 tyres; rear: 325/40 tyres

| | |
|---------------------------------|---|
| AMG Line Premium | - |
| AMG Line Premium Plus | ● |
| AMG Line Premium Plus Executive | - |



RPO 23" AMG alloy wheels (4) – 5-twin-spoke design, bicolour
front: 285/40 tyres; rear: 325/35 tyres

| | |
|---------------------------------|---|
| AMG Line Premium | - |
| AMG Line Premium Plus | - |
| AMG Line Premium Plus Executive | ● |



> Book a test drive



> View offers



> Find a Retailer



> View the Range Guide



Off-Road package

The Off-Road package provides superior ride comfort both on and off the road. It combines a fully-variable all-wheel drive system with a low-range transmission, ensuring that your GLS is ideally suited to make dynamic progress on the road; and finely-metered torque distribution for use off the beaten track, providing the perfect balance between agility and stability.

Off-Road package – designed and priced as a package, including items as listed.

Total incl. VAT £1,495.00

Off-Road package (code 430)

Downhill speed regulation for steep downhill gradients

DYNAMIC SELECT driving modes including Off-Road, Off-Road+, Comfort and Sport

Fully-variable all-wheel drive and low-range transmission

Inter-axle locking via a torque-on-demand clutch, providing fully variable torque distribution from 0-100% between the axles

Low-range off-road gearing

Off-road ABS with specific optimisation for rough surfaces

Off-road control panel in centre console

Torque-on-demand (double-speed) for traction and dynamic control



> Book a test drive



> View offers



> Find a Retailer



> View the Range Guide

Colours and materials

31





> Book a test drive



> View offers



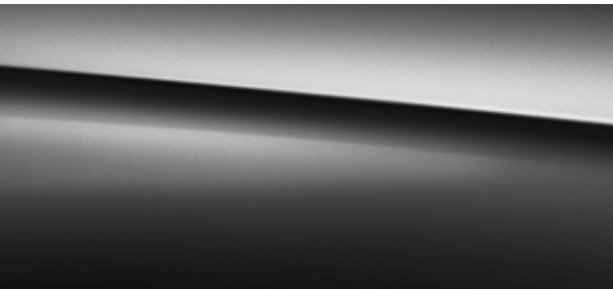
> Find a Retailer



> View the Range Guide

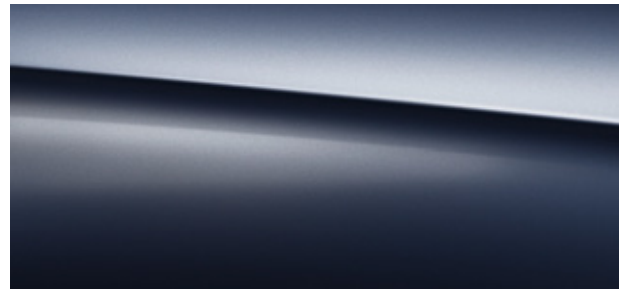
Metallic paints

An extra degree of exclusivity is guaranteed with designo's range of paint finishes, which are all available at additional cost.



197U obsidian black

standard



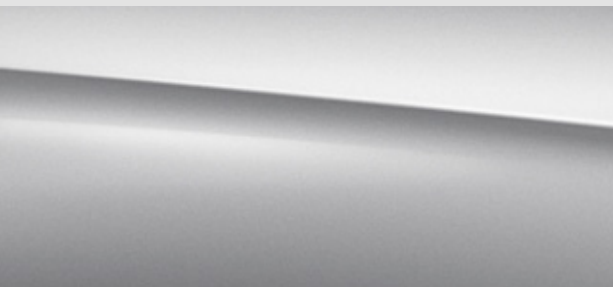
890U cavansite blue

no-cost option



989U emerald green

no-cost option



775U iridium silver

no-cost option



896U brilliant blue

no-cost option



799 designo diamond white bright

Total incl. VAT £595.00



859U mojave silver

no-cost option



992U selenite grey

no-cost option



996 designo hyacinth red bright

Total incl. VAT £595.00

Please note that, owing to limitations of on-screen representation, paint colours may differ from those shown



> Book a test drive



> View offers



> Find a Retailer



> View the Range Guide

Trim



H46 brushed aluminium

| | |
|---------------------------------|---|
| AMG Line Premium | ● |
| AMG Line Premium Plus | - |
| AMG Line Premium Plus Executive | - |



H31 anthracite open-pore oak wood

| | |
|---------------------------------|---|
| AMG Line Premium | - |
| AMG Line Premium Plus | ● |
| AMG Line Premium Plus Executive | - |



H18 high-gloss anthracite lime wood

| | |
|---------------------------------|---|
| AMG Line Premium | - |
| AMG Line Premium Plus | - |
| AMG Line Premium Plus Executive | ● |



> Book a test drive



> View offers



> Find a Retailer



> View the Range Guide

Leather upholstery

Perforated in conjunction with climatised seats on AMG Line Premium Plus models



201A black leather¹

| | |
|---------------------------------|---|
| AMG Line Premium | ● |
| AMG Line Premium Plus | ● |
| AMG Line Premium Plus Executive | - |
| Total RRP incl. VAT (£) | - |
| excl. VAT (£) | - |



204A espresso brown/magma grey leather¹

| | |
|---------------------------------|-----------------------|
| AMG Line Premium | ○ |
| AMG Line Premium Plus | ○ |
| AMG Line Premium Plus Executive | - |
| Total RRP incl. VAT (£) | no-cost option |
| excl. VAT (£) | |

● Standard ○ Optional - Not available ¹At least 80% of the seat upholstery is pure leather, while up to 20% may consist of man-made leather



> Book a test drive



> View offers



> Find a Retailer



> View the Range Guide



205A macchiato beige/magma grey leather¹

| | |
|---------------------------------|-----------------------|
| AMG Line Premium | <input type="radio"/> |
| AMG Line Premium Plus | <input type="radio"/> |
| AMG Line Premium Plus Executive | - |

Total RRP incl. VAT (£) **no-cost option**
 excl. VAT (£)



284A two-tone truffle brown/black leather¹

| | |
|---------------------------------|-----------------------|
| AMG Line Premium | <input type="radio"/> |
| AMG Line Premium Plus | <input type="radio"/> |
| AMG Line Premium Plus Executive | - |

Total RRP incl. VAT (£) **no-cost option**
 excl. VAT (£)

● Standard ○ Optional - Not available ¹At least 80% of the seat upholstery is pure leather, while up to 20% may consist of man-made leather



> Book a test drive



> View offers



> Find a Retailer



> View the Range Guide

Nappa leather upholstery



| | |
|--|---|
| 958A magma grey/black nappa leather ¹ | |
| AMG Line Premium | - |
| AMG Line Premium Plus | - |
| AMG Line Premium Plus Executive | ● |



Technical data

| | | |
|------------------------------|------------------|-----------------------|
| Diesel engine | | |
| Model | GLS 400 d 4MATIC | |
| Engine | | |
| Total displacement | cc | 2,925 |
| Arrangement/cylinders/valves | V/6/24 | |
| Power ¹ | hp (kW) at rpm | 330 (243)/3,600-4,200 |
| Torque ¹ | Nm at rpm | 700/1,200-3,200 |
| Transmission | | |
| 9G-TRONIC 9-speed automatic | ● | |
| Performance | | |
| Acceleration 0-62 mph | sec | 6.3 |
| Top speed | mph | 148 |

| | | |
|---|------------------|----------------------|
| Diesel engine | | |
| Model | GLS 400 d 4MATIC | |
| Weights and capacities | | |
| Kerb weight ² | kg | 2,490 |
| Perm. Gross Vehicle Weight | kg | 3,250 |
| Towing capacity - unbraked/braked | kg | 750/3,500 |
| Boot capacity - behind 1st row of seats | 2,400 | |
| behind 2nd row of seats | tba | |
| behind 3rd row of seats | l | 470 |
| Fuel tank capacity/of which reserve | l | 90/9 |
| Turning circle (wall to wall) | m | 12.5 |
| Wading depth | mm | 500 |
| Fuel consumption^{3,4,5} | | |
| Combined (consumption dependent on chosen optional equipment) | l/100 km mpg | 9.8-8.6 28.8-32.8 |

¹Figures according to Directive 80/1269/EEC in the currently applicable version

²Mass of the vehicle in running order with at least 90% full fuel tank, plus the mass of the driver (estimated by law at 75 kg), fuel and fluids, equipped with the standard equipment as specified by the manufacturer as well as, where applicable, the mass of the body, cab, trailer coupling and spare wheel(s) as well as tools. Optional extras, additional equipment and accessories can influence the weight, residual payload, rolling resistance, aerodynamics, etc., and therefore also affect the consumption/CO₂ values

³All figures are based on a standard specification with the smallest tyre size

⁴The choice of wheels and transmission may affect CO₂ emissions and corresponding Road Fund Licence

⁵The indicated values were determined according to the prescribed measurement method - Worldwide Harmonised Light Vehicle Test Procedure (WLTP). Figures shown may include options which are not available in the UK



| | | Diesel engine |
|---|--|------------------|
| Model | | GLS 400 d 4MATIC |
| CO₂ emissions^{4,5,*} | | g/km |
| Emissions standard | | Euro 6d-ISC-FCM |
| 22" alloy wheels | | 213 |
| 23" alloy wheels | | 213 |

| | | Diesel engine |
|--|--|------------------|
| Model | | GLS 400 d 4MATIC |
| Insurance | | |
| Group rating | | tba |
| Insurance ratings may vary depending on model line and specification. Please refer to http://www.thatcham.org/abigrouprating/ for further details | | |

⁴The choice of wheels and transmission may affect CO₂ emissions and corresponding Road Fund Licence

⁵The indicated values were determined according to the prescribed measurement method – Worldwide Harmonised Light Vehicle Test Procedure (WLTP). Figures shown may include options which are not available in the UK

*CO₂ figures have been converted into NEDC-equivalent values for use with the current VED and BIK tax legislation

Figures shown are for comparability purposes; only compare with other cars tested to the same technical procedures. Figures may not reflect real life driving results, which will depend upon a number of factors including factory-fitted options, accessories fitted (post registration), variations in weather, driving styles and vehicle load. Further information about the test used to establish fuel consumption and CO₂ figures can be found at <http://www.mercedes-benz.co.uk/WLTP>



> Book a test drive



> View offers

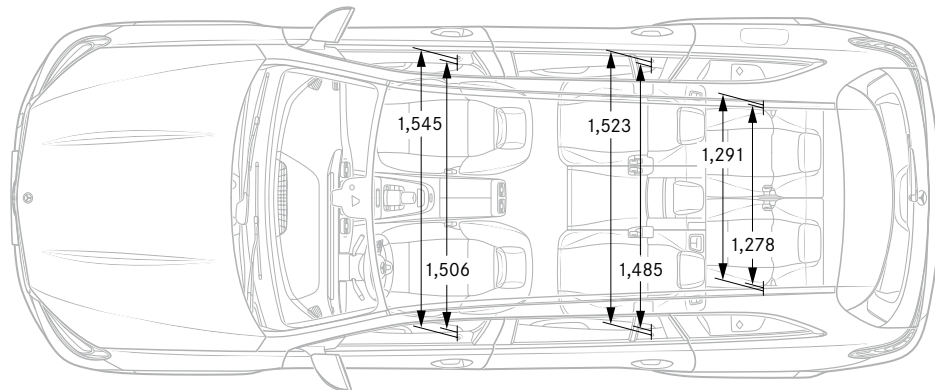
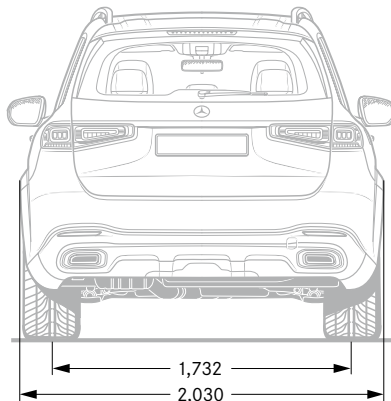
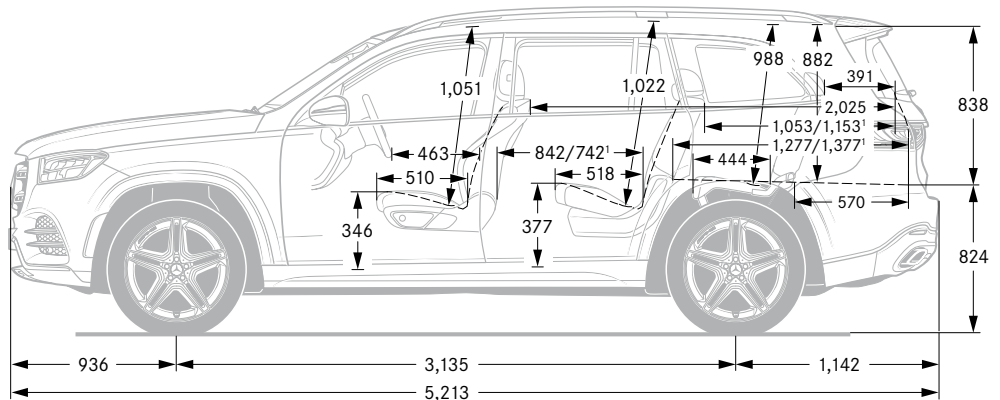
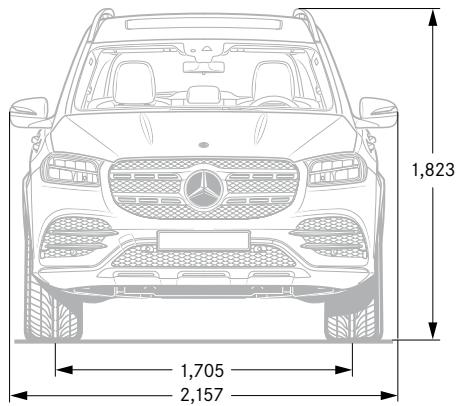


> Find a Retailer



> View the Range Guide

GLS 400 d 4MATIC



¹With rear bench seat pushed forward 100 mm. All measurements in millimetres. The dimensions shown are mean values and apply to unladen vehicles. Specification may vary



> Book a test drive



> View offers

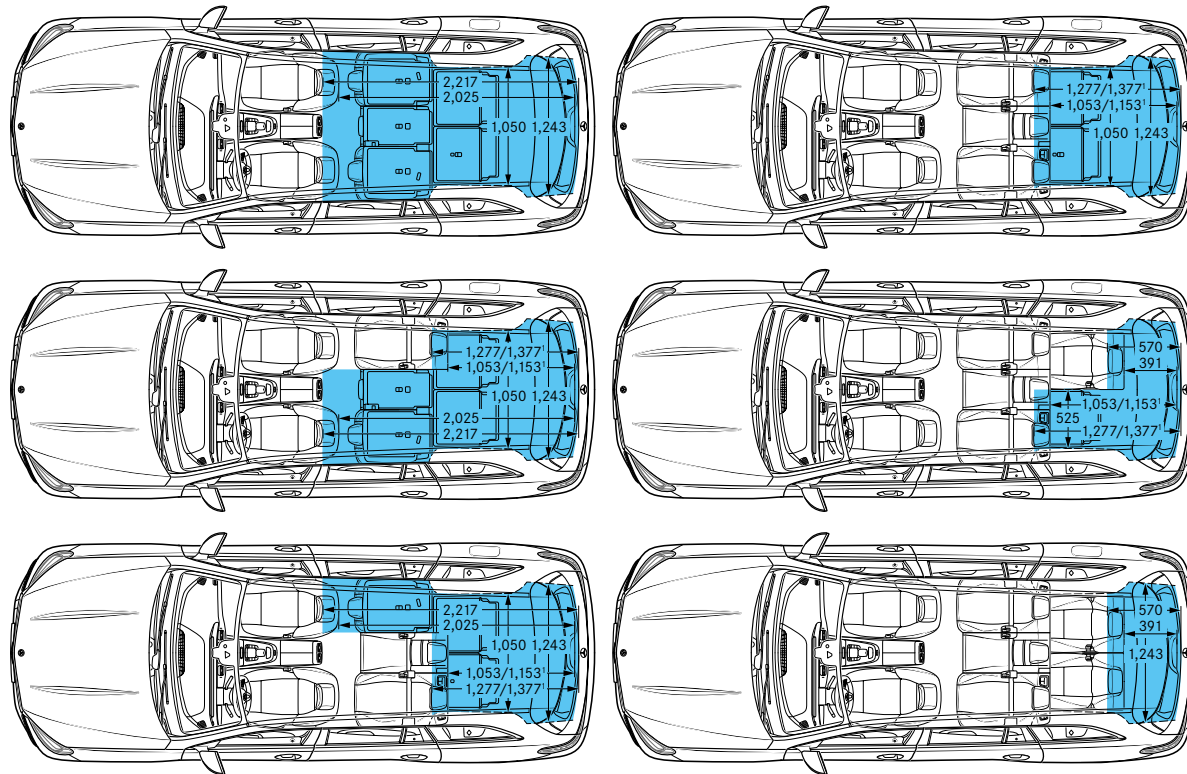


> Find a Retailer



> View the Range Guide

Load space dimensions



All measurements in millimetres. The dimensions shown are mean values and apply to unladen vehicles. Specification may vary
 The figures on pages 37–40 are correct at time of publication. Please refer to the government website for latest data – <http://carfueldata.direct.gov.uk/>



> Book a test drive



> View offers



> Find a Retailer



> View the Range Guide

Road Fund Licence



All road vehicle registrations are subject to Vehicle Excise Duty (Road Fund Licence), which varies in accordance with the vehicle's CO₂ emissions. A first year rate for each taxation band will apply. The table below shows the bands (A-M) created by the DVLA and the corresponding Road Fund Licence. CO₂ emissions are listed in the technical data on page 38, and the relevant Excise Duty is reflected in the on-the-road prices on pages 9, 13 and 17.

| Band | CO ₂ emissions (g/km) | First year rate petrol and RDE2 diesel (£) | First year rate all other diesel (£) ¹ | First year rate alternative fuel (£) | Standard rate (£) | Premium rate (£) ² |
|------|----------------------------------|--|---|--------------------------------------|-------------------|-------------------------------|
| A | 0 | 0.00 | 0.00 | 0.00 | 0.00 | 320.00 |
| B | 1 to 50 | 10.00 | 25.00 | 0.00 | 145.00 | 465.00 |
| C | 51 to 75 | 25.00 | 110.00 | 15.00 | 145.00 | 465.00 |
| D | 76 to 90 | 110.00 | 130.00 | 100.00 | 145.00 | 465.00 |
| E | 91 to 100 | 130.00 | 150.00 | 120.00 | 145.00 | 465.00 |
| F | 101 to 110 | 150.00 | 170.00 | 140.00 | 145.00 | 465.00 |
| G | 111 to 130 | 170.00 | 210.00 | 160.00 | 145.00 | 465.00 |
| H | 131 to 150 | 210.00 | 530.00 | 200.00 | 145.00 | 465.00 |
| I | 151 to 170 | 530.00 | 855.00 | 520.00 | 145.00 | 465.00 |
| J | 171 to 190 | 855.00 | 1,280.00 | 845.00 | 145.00 | 465.00 |
| K | 191 to 225 | 1,280.00 | 1,815.00 | 1,270.00 | 145.00 | 465.00 |
| L | 226 to 255 | 1,815.00 | 2,135.00 | 1,805.00 | 145.00 | 465.00 |
| M | over 255 | 2,135.00 | 2,135.00 | 2,125.00 | 145.00 | 465.00 |

Some of the model features, optional extras and colours shown may not be available or may only be available in a different specification.

¹Applies to all Mercedes-Benz diesel models which do not comply with Real Driving Emissions step 2 (RDE2)

²Premium rate only applicable to vehicles where the list price is over £40,000 including any factory-fitted options, standard UK delivery charge, number plates, fuel and VAT



> Book a test drive



> View offers



> Find a Retailer



> View the Range Guide

Services and insurance

Mercedes-Benz ServiceCare

We believe that servicing costs should be as flexible and affordable as possible for your GLS, which is why we offer ServiceCare, an easy way to budget for all your servicing costs. It spreads your bills into manageable payments based on whether you have a new or used Mercedes-Benz.

With ServiceCare we guarantee the price of parts and labour for up to four services and safeguard against any further inflation. It also covers the cost of all recommended service items including brake fluid, spark plugs, air filters, fuel filters and screen wash.

You can choose either to add your servicing costs into your monthly spend or pay the full amount in a one-off payment, giving you peace of mind that they are taken care of for the period of the plan.

To receive a personalised ServiceCare plan recommendation visit the ServiceCare Calculator at servicecarerates.mercedes-benz.co.uk

Warranty and breakdown cover

Every Mercedes-Benz comes with a three-year unlimited mileage warranty against manufacturing or material defects¹ and up to 30 years warranty against perforation due to corrosion from the inside out.² What's more, it's also covered by Mercedes-Benz Roadside Assistance – a unique package comprising up to 30 years pan-European breakdown assistance.²

Motor Insurance

Superb cover comes as standard. When reviewed by an independent research company, Defaqto, Mercedes-Benz Motor Insurance received a five-star rating, the highest rating available. We design our Motor Insurance specifically for Mercedes-Benz drivers.

For more information or to obtain a quote, click **here**.



> Book a test drive



> View offers



> Find a Retailer



> View the Range Guide

Mercedes me connect.

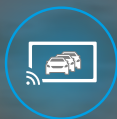
Stay connected, any time, anywhere.

Mercedes me is a range of innovative online services designed to enhance your Mercedes-Benz experience. Accessible via mobile, tablet or PC, Mercedes me lets you enjoy the highest standards of care and support, in a way that integrates seamlessly with your busy lifestyle.



Navigation Services (01U)

Visit the Mercedes me connect store or app for pricing.



Live Traffic Information¹

Your navigation system receives traffic data in real time, enabling it to optimise the dynamic route guidance, minimising drive time and offering more precise estimation of arrival times.



Available parking spaces

Locates parking spaces for you in multi-storey car parks and on the street. Saving you time and hassle.



Local Search

This feature provides support in the local search for restaurants or hotels and much more.



Send2Car

Make your journey easier: set your destination using the Mercedes me app and send it directly to your car's navigation system.

Infotainment

Visit the Mercedes me connect store or app for pricing.



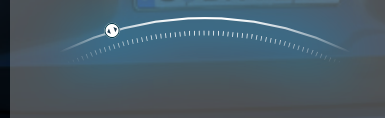
connect Store

In the Mercedes me connect Store you can purchase many digital services designed to make your everyday life easier and provide useful information relating to your networked vehicle.



TIDAL

Love music? Get a 12-month TIDAL HiFi subscription free with Mercedes me connect (worth £240) and unlock access to 58 million songs.



Internet Radio

Listen to podcasts and radio stations from anywhere in the world.

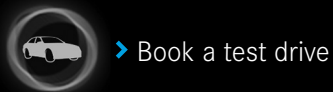


Digital Assistant

Digital Assistant allows you to connect to your car via Amazon Alexa or Google Assistant, meaning you can ask from the comfort of your sofa - is my car locked? When's the next service due? How much fuel do I have? Plus much more.

For more information speak to your local Retailer or visit the Mercedes me connect store at shop.mercedes-benz.com/en-gb/connect

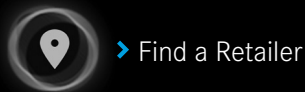
¹Free of charge for first 3 years. Extension possible, visit the Mercedes me connect store for details on pricing



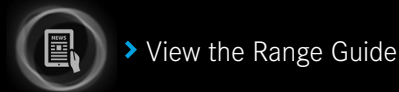
> Book a test drive



> View offers



> Find a Retailer



> View the Range Guide

Mercedes me connect.

Stay connected, any time, anywhere.

Mercedes me is a range of innovative online services designed to enhance your Mercedes-Benz experience. Accessible via mobile, tablet or PC, Mercedes me lets you enjoy the highest standards of care and support, in a way that integrates seamlessly with your busy lifestyle.



Vehicle Set-up (08U)

Visit the Mercedes me connect store or app for pricing.



Remote Vehicle Status

Check safety information, such as coolant level and brake pad condition, so you can be sure your car is safe and ready to drive.



Auxiliary heating

If your car has an auxiliary heater installed, you can heat it up or cool it down before you drive away whenever or wherever you are giving you maximum comfort.



Parked Vehicle Locator

Forgot where you parked your car? No problem: you can locate and track your car, with the Parked Vehicle Locator.



Vehicle Tracker

Track the location of your car anywhere in the world.



Pre-Entry Climate Control

Programming of charging settings and Pre-Entry Climate Control for plug-in vehicles.



Remote Door Locking/Unlocking

Lock and unlock your car remotely, wherever you are in the world.



Valet Protect

Worried about your car when you've left it at a long stay car park? With Valet Protect, you'll get an instant notification to your phone when the ignition is started or if your car moves out of a pre-defined area of up to a three mile radius.



Geo-fencing

Set up a geographical boundary and receive alerts whenever your car enters or leaves this area.

For more information speak to your local Retailer or visit the Mercedes me connect store at shop.mercedes-benz.com/en-gb/connect



Mercedes-Benz Finance

Why should you finance with Mercedes-Benz?

At Mercedes-Benz we believe a great driving experience should be matched by an equally great ownership experience. That is why we put just as much thought, time and effort into designing our finance options, our service plans and our insurance cover as we do into our vehicles.

We are not in the business of simply providing a loan to fund the purchase of your dream vehicle. We look on it as a journey that we take with you, from the moment you choose your new Mercedes-Benz, to helping you in choosing your next one.

If you would like to find out more about any of our current offers, simply call into your local Mercedes-Benz Retailer where one of our Business Managers will be more than happy to talk you through anything you need to know.

Helping you find the right solution.

You should find our finance packages are more convenient than a traditional personal loan because:

- Funds are immediately available – no waiting for cheques or loans to clear.
- There is no security required – either against your home or other assets.
- We have clear and transparent rates – the APR we quote is the APR you get.
- We have friendly Business Managers – experts in vehicle finance who can talk you through all of your plans in detail.

One of our most popular finance products is Mercedes-Benz Agility (our Personal Contract Purchase product). We also offer Contract Hire, Operating Lease and Hire Purchase solutions. If you would like to find out more about these speak to your Retailer or visit www.mercedes-benz.co.uk/fandi.

Mercedes-Benz Agility (our PCP product).

At the start of an Agility agreement, you put down a deposit and decide the term of your agreement and your annual mileage. You will be advised of the Guaranteed Future Value, which offers you the reassurance of knowing exactly what you will need to pay to own the vehicle outright in the future (this is known as the Optional Purchase Payment).

Throughout your agreement you simply pay your agreed monthly payments and when the agreement comes to an end you either purchase, hand back or part-exchange your vehicle.





Agility features:

- Fixed regular payments mean you can easily budget.
- Payments are based only on a proportion of the vehicle's value, keeping your monthly payments lower.
- Our Guaranteed Future Value avoids the risk of unplanned depreciation of your vehicle.
- You defer your ownership decision until the end of the agreement.

At the end of your agreement you have three options to choose from.

Option 1: Purchase your Mercedes-Benz.

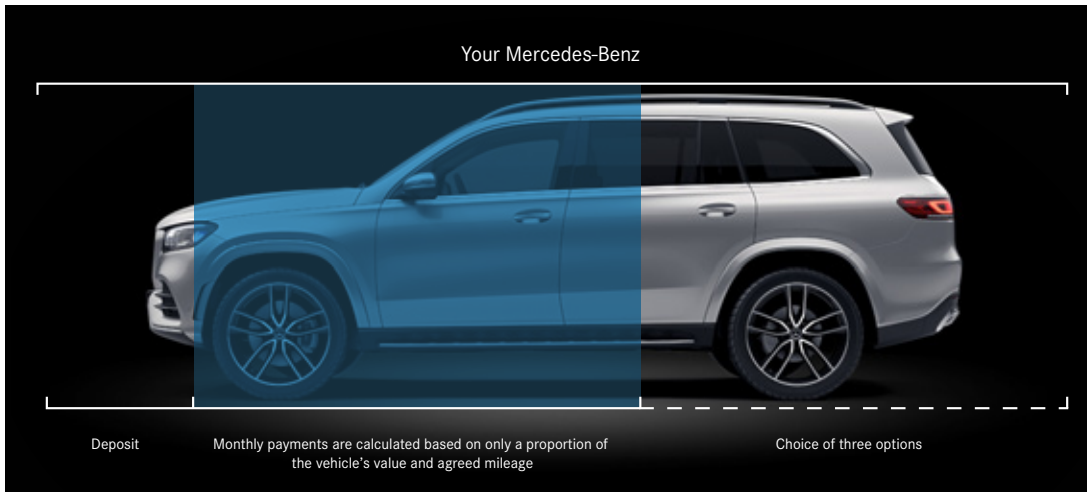
Purchase your Mercedes-Benz by paying the Optional Purchase Payment and Purchase Activation Fee.¹ This will complete the purchase of your Mercedes-Benz, leaving you free to simply enjoy your vehicle.

Option 2: Hand back your Mercedes-Benz.

If you decide to return your vehicle to us, it must be in line with our Vehicle Return Standards,^{*} as vehicle condition, excess mileage and other charges may be payable.

Option 3: Part-Exchange for a new vehicle.

Purchase your Mercedes-Benz by paying the Optional Purchase Payment and Purchase Activation Fee.¹ This will complete the purchase of your Mercedes-Benz, leaving you free to part-exchange for a new vehicle.



¹Please note the 'Purchase Activation Fee' of £10 will be debited from your account *To find out more information about our Vehicle Return Standards please visit <http://mercedes-benz.co.uk/vrs>



> [Book a test drive](#)



> [View offers](#)





> [Find a Retailer](#)





> [View the Range Guide](#)

Follow us on the following social media channels:

 facebook.com/mercedesbenzuk

 twitter.com/mercedesbenzuk

 youtube.com/mercedesbenzuk

 instagram.com/mercedesbenzuk

Effective from January 2020 Production. Information correct at time of publication.

Prices and specifications are subject to change without prior notice.

MBX167PL/1019 MY800.5

Mercedes-Benz Cars UK Limited, Tongwell, Milton Keynes, MK15 8BA. Company number 2448457 www.mercedes-benz.co.uk