



> View offers



> Book a test drive



> Find a Retailer



> View the Range Guide

GLE



Effective from January 2020 Production.

Mercedes-Benz



Contents

5 Standard equipment overview	29 Mercedes-AMG driver training	49 AMG standard equipment
6 Introducing MBUX	30 Option packages	54 Optional equipment
7 Mercedes me	33 Model prices	55 Genuine Accessories
9 Model lines	36 Pricing summary for model lines	60 Technical data
21 BP Chargemaster Homecharge	37 Colours and materials	65 Road Fund Licence
22 Mercedes-AMG model lines	42 Wheels	66 Services and insurance
28 Seven-seat equipment line	44 Standard equipment	67 Mercedes-Benz Finance



> View offers



> Book a test drive



> Find a Retailer



> View the Range Guide



Some of the model features, optional extras and colours shown may not be available, or may only be available in a different specification.



> View offers



> Book a test drive



> Find a Retailer



> View the Range Guide



Some of the model features, optional extras and colours shown may not be available, or may only be available in a different specification.

Standard equipment overview



Mirror package



12.3-inch touchscreen media display with hard disk navigation



Blind Spot Assist



Heated front seats with nappa leather/leather



12.3-inch widescreen cockpit display



Aluminium-look, illuminated running boards with rubber studs

Introducing MBUX



Using the touchpad you can control the display of the multimedia system



Multi-gesture touchpad control

Introducing MBUX, the brand new Mercedes-Benz User Experience infotainment system that can be controlled via voice and touch input. The new GLE joins other models to feature this innovative way of communicating with your Mercedes-Benz.

MBUX (Mercedes-Benz User Experience) infotainment system comprises:

Voice control

- Activated by the keywords “Hey Mercedes”, the new intelligent voice control LINGUATRONIC¹ lets you control many of the infotainment functions, including destination input, phone calls or music selection
- MBUX is able to understand different accents and will adjust to you over time
- MBUX even understands indirect commands. Feeling chilly? Just say “I feel cold” and MBUX will adjust the temperature for you

Personalisation

- Turn the new GLE into your very own Mercedes-Benz by personalising driving modes, radio stations, ambient lighting and much more
- Your personal settings can be saved in up to seven different profiles, making your driving experience the best one possible
- Thanks to artificial intelligence, MBUX is able to learn and adapt over time. It will be able to predict your personal habits, such as navigation for frequently-driven routes, or the radio station you like to listen to on your way home from work

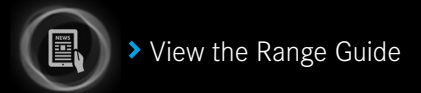
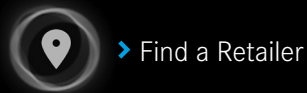
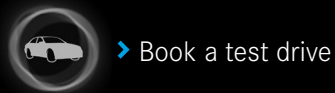
Touch inputs

- Beside voice control you can operate MBUX via touchscreen, the touchpad on the centre console, as well as touch control buttons on the steering wheel
- The touchpad recognises your handwriting should you wish to enter addresses or phone numbers silently

Maintenance and service

- Wondering when the next service is due? Or how much further you can drive until you need to stop at a petrol station? Just ask your MBUX – it will tell you the answer

¹LINGUATRONIC off-board functions are currently only available for 3 years



Mercedes me connect.

Stay connected, any time, anywhere.

Mercedes me is a range of innovative online services designed to enhance your Mercedes-Benz experience. Accessible via mobile, tablet or PC, Mercedes me lets you enjoy the highest standards of care and support, in a way that integrates seamlessly with your busy lifestyle.



Navigation Services (01U)

Visit the Mercedes me connect store or app for pricing.



Live Traffic Information¹

Your navigation system receives traffic data in real time, enabling it to optimise the dynamic route guidance, minimising drive time and offering more precise estimation of arrival times.



Available parking spaces

Locates parking spaces for you in multi-storey car parks and on the street. Saving you time and hassle.



Local Search

This feature provides support in the local search for restaurants or hotels and much more.



Send2Car

Make your journey easier: set your destination using the Mercedes me app and send it directly to your car's navigation system.

Infotainment

Visit the Mercedes me connect store or app for pricing.



Connect Store

In the Mercedes me connect Store you can purchase many digital services designed to make your everyday life easier and provide useful information relating to your networked vehicle.



TIDAL

Love music? Get a 12-month TIDAL HiFi subscription free with Mercedes me connect (worth £240) and unlock access to 58 million songs.



Internet Radio

Listen to podcasts and radio stations from anywhere in the world.



Private Car sharing

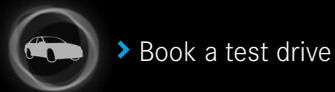
Carsharing gives you the opportunity to share your vehicle in a straightforward and safe way with third parties who you authorise.

For more information speak to your local Retailer or visit the Mercedes me connect store at shop.mercedes-benz.com/en-gb/connect

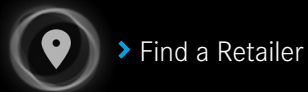
¹Free of charge for first three years. Extension possible, visit the Mercedes me connect store for details on pricing



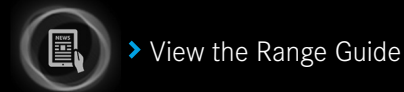
> View offers



> Book a test drive



> Find a Retailer



> View the Range Guide

Mercedes me connect.

Stay connected, any time, anywhere.

Mercedes me is a range of innovative online services designed to enhance your Mercedes-Benz experience. Accessible via mobile, tablet or PC, Mercedes me lets you enjoy the highest standards of care and support, in a way that integrates seamlessly with your busy lifestyle.



Vehicle Set-up (08U)

Visit the Mercedes me connect store or app for pricing.



Remote Vehicle Status

Check safety information, such as coolant level and brake pad condition, so you can be sure your car is safe and ready to drive.



Personal Profile

Store your preferences, such as your favourite radio stations and apps, to create your personal driver profile.

Vehicle Monitoring (09U)

Visit the Mercedes me connect store or app for pricing.



Parked Vehicle Locator

Forgot where you parked your car? No problem: you can locate and track your car, with the Parked Vehicle Locator.



Vehicle Tracker

Track the location of your car anywhere in the world.



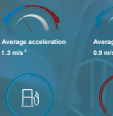
Pre-Entry Climate Control

Programming of charging settings and Pre-Entry Climate Control for plug-in vehicles.



Remote Door Locking/Unlocking

Lock and unlock your car remotely, wherever you are in the world.



ECO Display

Monitor your driving style with ECO Display. It summarises your driving style from the start of the journey to its completion to help you achieve the most economical way to drive.



Geo-fencing

Set up a geographical boundary and receive alerts whenever your car enters or leaves this area.

For more information speak to your local Retailer or visit the Mercedes me connect store at shop.mercedes-benz.com/en-gb/connect



> View offers



> Book a test drive



> Find a Retailer



> View the Range Guide

GLE AMG Line





> View offers



> Book a test drive



> Find a Retailer



> View the Range Guide



Model lines | GLE AMG Line

10

This GLE SUV is available as a 5- or a 7-seater, packed with a wide range of sophisticated features. AMG bodystyling comes as standard along with 5-twin spoke 20" AMG alloy wheels. To complement the sporty exterior, the AMG Line also has aluminium-look illuminated running boards and tinted glass. The interior welcomes you with ambient lighting with a choice of 64 colours. Here, you'll find black nappa leather on seats and multifunction

steering wheel set against anthracite open-pore oak wood trim. The widescreen cockpit provides access to the MBUX multimedia system. And while DYNAMIC SELECT with a choice of driving modes ensures a smooth yet engaging drive, features like Blind Spot Assist and Active Brake Assist add safety and convenience to every journey.

Engine, Transmission and Suspension

DYNAMIC SELECT with choice of driving modes: Eco, Comfort, Sport and Individual

Exterior

20" alloy wheels – 5-twin-spoke design

Adaptive Highbeam Assist

Aluminium-look illuminated running boards with rubber studs

AMG bodystyling – front apron, rear apron and side skirts

Heat-insulating dark-tinted glass

LED High Performance headlamps

Interior

Mirror package – electrically folding mirrors and automatically-dimming driver's exterior mirror and rear-view mirror with image projection logo

Ambient lighting, staged – 64 colours

AMG Line floor mats

DAB digital radio tuner

Dashboard lining in ARTICO man-made leather

Four-way lumbar support

Heated front seats – black nappa leather/leather

Multifunction sports steering wheel in nappa leather

Communications, Safety and Assistance Systems

Parking package – incl. Active Parking Assist and reversing camera

Active Brake Assist

Blind Spot Assist

MBUX multimedia system with DAB digital radio

Touchpad

Traffic Sign Assist

Widescreen (12.3-inch) cockpit display

Wireless Charging

Trim and Upholstery

Anthracite open-pore oak wood trim

Nappa leather – black

OTR from **£57,015¹**

¹The recommended on-the-road price includes the Road Fund Licence applicable to the standard model plus delivery charge (£715.00 incl. VAT), new vehicle registration fee (£55.00) and number plates (£25.00 incl. VAT). VAT is calculated at the standard rate of 20%



> View offers



> Book a test drive



> Find a Retailer



> View the Range Guide

GLE AMG Line Executive





> View offers



> Book a test drive



> Find a Retailer



> View the Range Guide



The AMG Line Executive is equipped to the same high standard as the AMG Line, with added highlights like the 21" AMG multi-spoke light-alloy wheels in himalayas grey. Once on board, you'll enjoy the comfort of seats with lumbar support and nappa leather upholstery. The multimedia system is fully

compatible with your mobile phone thanks to smartphone integration. Convenient technology like the Parking package including Active Parking Assist and reversing camera as well as the Mirror package are also standard.

In addition/replacement to AMG Line:

Exterior

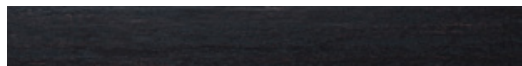
21" AMG multi-spoke light-alloy wheels painted in himalayas grey with a high-sheen finish

Interior

Smartphone integration including Apple CarPlay™ and Android Auto™¹

Trim and Upholstery

Anthracite open-pore oak wood trim



Nappa leather – black



OTR from **£58,515²**
Upgrade price from AMG Line **£1,500**

¹Compatible mobile phone required

²The recommended on-the-road price includes the Road Fund Licence applicable to the standard model plus delivery charge (£715.00 incl. VAT), new vehicle registration fee (£55.00) and number plates (£25.00 incl. VAT). VAT is calculated at the standard rate of 20%



> View offers



> Book a test drive



> Find a Retailer



> View the Range Guide

GLE AMG Line Premium

15



AMG Line Premium 350d/450



AMG Line Premium 300d



> View offers



> Book a test drive



> Find a Retailer



> View the Range Guide

Model lines | GLE AMG Line Premium

16



The GLE AMG Line Premium is available with four engine types: 300 d, 350 de, 350 d and 450 (7-seater only). If you choose a 300 d or a 350 de model, your GLE will be equipped with 21" AMG multi-spoke light-alloy wheels painted in himalayas grey. The 350 d and 450 models receive 22"

AMG 5-twin-spoke light-alloy wheels painted in tremolite grey. For additional comfort, all AMG Line Premium models come with a Memory package, Parking package with 360° camera for convenient manoeuvring and MBUX augmented reality for effortless navigation.

In addition/replacement to AMG Line Executive:

Exterior

20" AMG 5-twin-spoke design, painted tremolite grey with high-sheen finish (350 de)

21" AMG multi-spoke light-alloy wheels painted in himalayas grey with a high-sheen finish (300 d)

22" AMG 5-twin-spoke light-alloy wheels painted in tremolite grey with a high-sheen finish (350 d/450)

EQ Boost starter-alternator (GLE 450 4MATIC only)

Interior

Memory package

Parking package with 360° camera

MBUX augmented reality for navigation

Trim and Upholstery

Anthracite open-pore oak wood trim

Nappa leather – black

OTR from **£60,515¹**
Upgrade price from AMG Line Executive **£2,000**

¹The recommended on-the-road price includes the Road Fund Licence applicable to the standard model plus delivery charge (£715.00 incl. VAT), new vehicle registration fee (£55.00) and number plates (£25.00 incl. VAT). VAT is calculated at the standard rate of 20%



> View offers



> Book a test drive



> Find a Retailer



> View the Range Guide

GLE AMG Line Premium Plus

18



AMG Line Premium Plus 350 d/400 d/450



AMG Line Premium Plus 300 d



> View offers



> Book a test drive



> Find a Retailer



> View the Range Guide

Model lines | GLE AMG Line Premium Plus

19



The AMG Line Premium Plus stands out with its panoramic glass sunroof. The 300 d and 350 de model come with black 21" AMG multi-spoke light-alloy wheels. The 350 d, 400 d and 450 are fitted with black 22" AMG 5-twin-spoke light-alloy wheels. For your comfort and well-being, the AMG Line

Premium Plus also has a Driving Assistance package, KEYLESS-GO Comfort package, ENERGIZING package as well as the AIR-BALANCE package which adds a subtle fragrance to the interior. For the best audio experience, Burmester® surround sound system also features as standard.

In addition/replacement to AMG Line Premium:

Exterior

KEYLESS-GO Comfort package

20" AMG 5-twin-spoke design, painted tremolite grey with high-sheen finish (350 de)

21" AMG multi-spoke light-alloy wheels painted in himalayas grey with a high-sheen finish (300 d)

22" AMG 5-twin-spoke light-alloy wheels painted in tremolite grey with a high-sheen finish (350 d/400 d/450)

Panoramic glass sunroof

Interior

AIR-BALANCE package

Driving Assistance package

ENERGIZING package

Burmester® surround sound system

Trim and Upholstery

Anthracite open-pore oak wood trim

Nappa leather – black

OTR from **£64,015¹**

Upgrade price from AMG Line Premium **£3,500**

¹The recommended on-the-road price includes the Road Fund Licence applicable to the standard model plus delivery charge (£715.00 incl. VAT), new vehicle registration fee (£55.00) and number plates (£25.00 incl. VAT). VAT is calculated at the standard rate of 20%

BP Chargemaster Homecharge – simple, convenient, faster charging

Mercedes-Benz plug-in vehicle customers with off-street parking can benefit from the convenience and speed of charging at home by installing a Homecharge wallbox through our charging partner BP Chargemaster. The 7 kW Homecharge unit delivers a full charge in just four hours – that’s three times faster than using a 13 A three-pin domestic plug.¹

HOMECHARGE 7 kW: **£399*** incl. VAT & installation



Key benefits of the 7 kW BP Chargemaster Homecharge:

Robust and weatherproof, for indoor or outdoor use, and comes with a three year warranty

Installed in as little as two weeks

The cost for a fully-installed charge point at your home includes the £500 OLEV (EVHS) grant²

As a Mercedes-Benz driver, when you install a Homecharge unit through BP Chargemaster you will automatically receive three months FREE membership to POLAR plus, the UK’s largest public charging network with over 6,500 charge points

Questions?

- Simply email mercedes-benz@chargemasterplc.com or
- call their dedicated Homecharge team on 01582 399 412

!Warning

If you are planning to charge your Mercedes-Benz plug-in electric vehicle using a 3-pin domestic plug socket you must get a qualified electrician to inspect and sign off the socket to confirm it is safe and suitable to charge your vehicle. Do not use an electric vehicle 3-pin charge cable with an extension cord.

bp
chargemaster

*Price includes £500 OLEV EVHS Grant. Price correct at time of publication, subject to change ¹Based on 7kW power output for plug-in hybrid vehicles

²The BP Chargemaster Homecharge £500 Grant (including VAT) is only available to customers who meet the criteria of the Office of Low Emission Vehicles (OLEV) and is provided and installed by BP Chargemaster plc. For full details and eligibility criteria for the OLEV EVHS Grant, see <https://www.gov.uk/government/publications/electric-vehicle-homecharge-scheme-guidance-for-customers-version-21>. For full BP Chargemaster Homecharge Terms & Conditions visit https://chargemasterplc.com/terms_conditions



> View offers



> Book a test drive



> Find a Retailer



> View the Range Guide

Mercedes-AMG GLE 53 4MATIC+ Premium





> View offers



> Book a test drive



> Find a Retailer



> View the Range Guide



Model lines | Mercedes-AMG GLE 53 4MATIC+ Premium

The Mercedes-AMG GLE 53 4MATIC+ Premium delivers exceptional performance, matched by its sporty exterior with unique AMG bodystyling. The eye-catching front features a unique vertical AMG grille, while the rear reveals an AMG Performance exhaust. For an engaging yet comfortable ride, this model also comes with AMG RIDE CONTROL sports suspension and

AMG DYNAMIC SELECT with a choice of driving modes. The interior is fitted with black AMG nappa leather upholstery, red seat belts and anthracite open-pore oak wood trim. MBUX multimedia system and MBUX augmented reality for navigation are also standard. If you choose the 7-seater, the third row is fitted with THERMOTRONIC automatic climate control.

Engine, Transmission and Suspension

AMG DYNAMIC SELECT with a choice of driving modes

AMG RIDE CONTROL sports suspension based on AIR BODY CONTROL air suspension

Exterior

21" AMG multi-spoke light-alloy wheels

AMG bodystyling – front apron, rear apron and side skirts

AMG bodystyling – front apron with distinctive air intakes, AMG side sill panels and AMG rear apron with diffuser look

'AMG' lettering on front brake calipers

AMG Performance exhaust

AMG-specific radiator grill

'BITURBO 4MATIC+' lettering on front wings

EQ Boost starter alternator

MULTIBEAM LED Intelligent Light System

Interior

Memory package

Mirror package

Dashboard and door beltlines in ARTICO man-made leather

Front door sill panels with 'AMG' lettering

Floor mats – with black leather edging and AMG logo

Multifunction sports steering wheel in nappa leather

Third row of seats with four-zone THERMOTRONIC automatic climate control

Wireless charging¹

Communications, Safety and Assistance Systems

Parking package with 360° camera

MBUX augmented reality for navigation

MBUX multimedia system

Red seat belts

Trim and Upholstery

Anthracite open-pore oak wood trim

AMG nappa leather – black

OTR from **£74,490.00²**

¹Compatible mobile phone required

²The recommended on-the-road price includes the Road Fund Licence applicable to the standard model plus delivery charge (£715.00 incl. VAT), new vehicle registration fee (£55.00) and number plates (£25.00 incl. VAT). VAT is calculated at the standard rate of 20%



> View offers



> Book a test drive



> Find a Retailer



> View the Range Guide

Mercedes-AMG GLE 53 4MATIC+ Premium Plus





> View offers



> Book a test drive



> Find a Retailer



> View the Range Guide



Model lines | Mercedes-AMG GLE53 4MATIC+ Premium Plus

If you can't get enough, the Mercedes-AMG GLE 53 4MATIC+ Premium Plus is your perfect match. It comes with a panoramic glass sunroof and 22" AMG cross-spoke light-alloy wheels in matt black with high-sheen rim flange. The AMG Night package is also standard, featuring high-gloss black elements all around the GLE, as well as two black chrome-plated twin tailpipes.

The interior further elevates your driving experience, with the ENERGIZING package – which synchronises different comfort systems to improve your wellbeing on the road –, the AIR-BALANCE package with subtle fragrance, and the Driving Assistance package, for comprehensive safety. Meanwhile, the Burmester® surround sound system delivers the finest audio experience.

In addition/replacement to Mercedes-AMG GLE 53 4MATIC+ Premium:

Exterior

AMG Night package – exterior elements in high-gloss black: front splitter and trim strip in the AMG front apron, exterior mirror housing, window weatherstrips, trim strip in AMG rear apron, two black chrome-plated twin tailpipe trim elements

KEYLESS-GO Comfort package

22" AMG cross-spoke light-alloy wheelspainted in matt black with high-sheen rim flange

Panoramic glass sunroof

Interior

AIR-BALANCE package

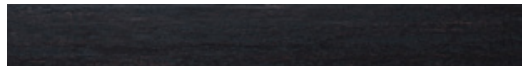
Driving Assistance package

ENERGIZING package

Burmester® surround sound system

Trim and Upholstery

Anthracite open-pore oak wood trim



AMG nappa leather – black



OTR from **£80,485.00¹**

Upgrade price from Mercedes-AMG GLE 53 4MATIC+ Premium **£5,995**

¹The recommended on-the-road price includes the Road Fund Licence applicable to the standard model plus delivery charge (£715.00 incl. VAT), new vehicle registration fee (£55.00) and number plates (£25.00 incl. VAT). VAT is calculated at the standard rate of 20%

Seven-seat equipment line



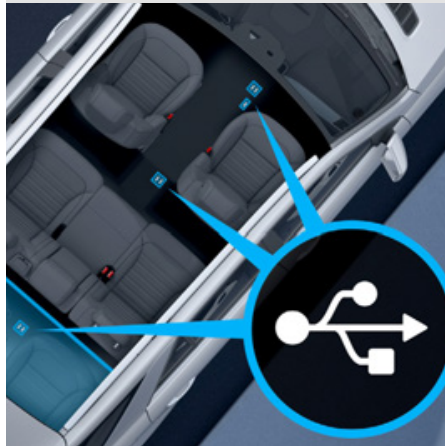
Four-zone THERMOTRONIC climate control



Third row of seats¹



Rear seat adjustment



Additional USB ports

The seven-seat equipment line features additional space and comfort with two extra seats. Combined with the flexible rear seat adjustment and additional USB ports, this package does not only provide more seating space, but greater comfort overall.

Seven-seat equipment line (code PYQ) – designed and priced as a package, including items as listed below.

GLE 300 d 4MATIC

GLE 350 d 4MATIC

Standard on GLE 400 d 4MATIC, GLE 450 4MATIC and Mercedes-AMG GLE 53 4MATIC+

Seven-seat equipment line comprises:

Additional USB ports (type C)

Four-zone THERMOTRONIC climate control

Rear seat adjustment – electrically folding (second row)

Third row of seats¹ (manually folding)

¹ARTICO man-made leather

Become the AMG expert

Unleash a new level of performance.

All Mercedes-AMG customers are invited to a complimentary adrenaline-packed driving experience, under the guidance of our driving specialists at Mercedes-Benz World.



Discover AMG at Mercedes-Benz World

- Individually tailored to your ability
- No previous track experience necessary
- See how well an AMG performs when pushed to its limits
- Put your theoretical driving knowledge to the test on a real track
- Understand the cause and effect of understeer, oversteer drift, collision avoidance and track etiquette
- Get to grips with the Mercedes-Benz World's purpose-built track and dynamic driving facilities

TERMS AND CONDITIONS

The following customers only are eligible: the first purchaser/registered keeper of a newly registered Mercedes-AMG. The complimentary Training as described in the brochure must be booked and taken within six months of delivery of your Mercedes-AMG. The Training is available Monday to Friday and is subject to availability. Requests for Saturday and Sunday will incur an additional charge. Upgrades are available for an additional cost: details upon request. Transferable to individuals who reside at the same postal address only. Mercedes-Benz Cars UK Limited reserves the right to amend or withdraw this Training experience. Attendees must hold a full UK driving licence. Attendees will be required to sign the Mercedes-Benz World Driving Risk Acknowledgement prior to undertaking the Training experience. The Training experience is also subject to the Mercedes-Benz World Terms and Conditions, as applicable. Invitation is emailed to the customer post-delivery. Permission via the customer contact preferences must be given to enable Mercedes-Benz World to contact. Retailer demonstrator vehicles are not eligible.

ENERGIZING package (code PBP)



ENERGIZING comfort control derives its innovative intelligence from the ENERGIZING COACH. This software-based service is able to offer individual programme recommendations. To achieve this the system first analyses current journey and vehicle data, including aspects such as traffic conditions, weather and journey time.

Second, it can also assess the driver's current physical and mental state, made possible by networking with available Garmin® wearables such as smart watches and fitness trackers.

Aspects such as sleep quality and stress are taken into account on the basis of the driver's vital parameters. The ENERGIZING COACH then selects a perfectly-suited fitness or wellness experience which you can start directly.

ENERGIZING package (code PBP) – designed and priced as a package

Standard on AMG Line Premium Plus and Mercedes-AMG 53 4MATIC+ Premium Plus

ENERGIZING COACH is only available as part of Mercedes me connect services. Please see the terms and conditions of use for information about availability of the service in different countries and model series, and the necessary optional equipment. Operation requires that your smartphone is connected to the vehicle as the main telephone. You must also ensure that you have connected the requisite Garmin® wearable to this smartphone via the Garmin Connect® app. As soon as you have consented to data transfer as part of the 'onboarding process' within the Mercedes me app or the Mercedes me portal, your data will be transferred directly from your wearable to the vehicle via Bluetooth®. Further information can be found in your vehicle's owner's manual.

Towing package

The GLE comes with Trailer Stability Assist. This system automatically recognises if the trailer is swaying, and will use the front brakes to help stabilise the trailer and keep you safe on the road.

Towing package (code DP8) – designed and priced as a package, including items as listed opposite.

Available on all models except AMG Line and AMG Line Executive

Total incl. VAT £1,150.00

Towing package comprises:

Increased towing capacity – max. 3,500 kg (all engines except GLE 300 d 4MATIC)

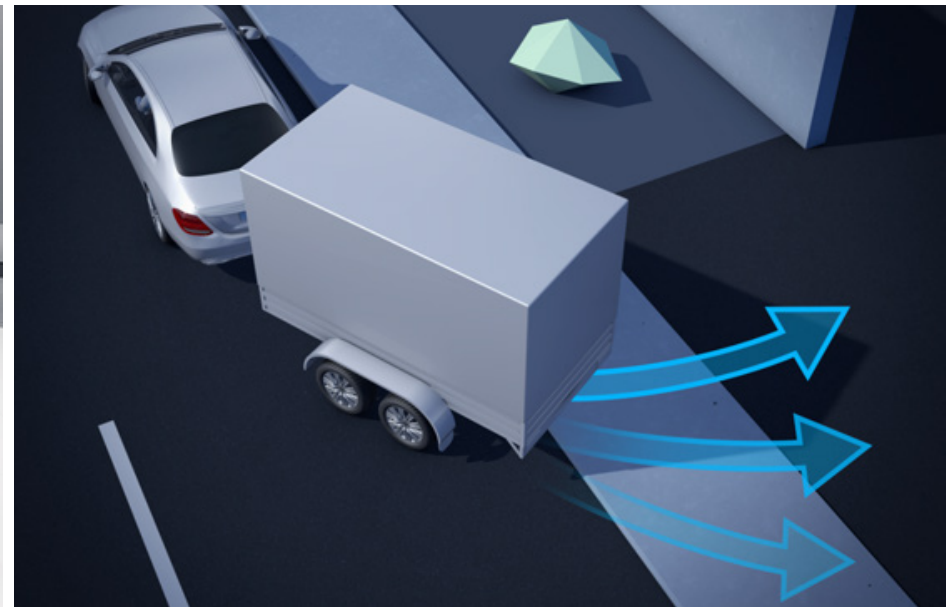
Trailer Manoeuvring Assist controls the steering angle of the towing vehicle at speeds up to 5 km/h. Dynamic guidelines show the course of the manoeuvre, vehicle width and distances to detected objects¹

Electronically folding tow bar (includes 13-pin socket; ESC: Electronic Stability Control)

¹In the case of trailers with a stabilisation device against swerving, the trailer or trailer tow hitch could be damaged. If a trailer coupling with Trailer Manoeuvring Assist is used, only use without a stabilisation device against swerving



Electronically-folding tow bar (includes 13-pin socket; ESC)



Trailer Manoeuvring Assist

Off-Road package



Off-Road Engineering package



Underbody protection

The Off-Road package combines a host of features that come in handy when taking your GLE off the beaten track. An underguard for the engine, together with reinforced underfloor panelling the full length of the vehicle, helps to reduce damage caused, for example, by driving over obstacles.

Off-Road package (code DP9) – designed and priced as a package, including items as listed below.

Only available on GLE 350 d 4MATIC and GLE 400 d 4MATIC Premium Plus

Total incl. VAT £1,695.00

Off-Road package comprises:

Off-Road Engineering package

Underbody protection

Model prices

Model line	Engine	Seats	Transmission	CO ₂ ^{1,*}	Basic RRP excl. VAT (£)	Total RRP incl. VAT (£)	Road Fund Licence (£) ²	Rec. OTR price (£) ³	P11D value (£)	BiK tax rate 2020/21 (%)
AMG Line	GLE 300 d 4MATIC Diesel - 1,950 cc, 4-cylinder, 245 hp/180 kW	5 seats	9G-TRONIC 9-speed automatic	162	46,408.33	55,690.00	530.00	57,015.00	56,430.00	37
		7 seats	9G-TRONIC 9-speed automatic	162	48,070.83	57,685.00	530.00	59,010.00	58,425.00	37
	GLE 350 de 4MATIC Diesel - 1,950 cc, 4-cylinder, 245 hp/180 kW	5 seats	9G-TRONIC 9-speed automatic	tba	tba	tba	tba	tba	tba	tba
		GLE 350 d 4MATIC Diesel - 2,925 cc, 6-cylinder, 272 hp/200 kW	5 seats	9G-TRONIC 9-speed automatic	179	49,595.83	59,515.00	855.00	61,165.00	60,255.00
	7 seats		9G-TRONIC 9-speed automatic	179	51,258.33	61,510.00	855.00	63,160.00	62,250.00	37
	AMG Line Executive	GLE 300 d 4MATIC Diesel - 1,950 cc, 4-cylinder, 245 hp/180 kW	5 seats	9G-TRONIC 9-speed automatic	169	47,658.33	57,190.00	530.00	58,515.00	57,930.00
7 seats			9G-TRONIC 9-speed automatic	169	49,320.83	59,185.00	530.00	60,510.00	59,925.00	37
GLE 350 d 4MATIC Diesel - 2,925 cc, 6-cylinder, 272 hp/200 kW		5 seats	9G-TRONIC 9-speed automatic	188	50,845.83	61,015.00	855.00	62,665.00	61,755.00	37
		7 seats	9G-TRONIC 9-speed automatic	188	52,508.33	63,010.00	855.00	64,660.00	63,750.00	37

¹The indicated values were determined according to the prescribed measurement method - Worldwide Harmonised Light Vehicle Test Procedure (WLTP). Figures shown may include options which are not available in the UK.

*CO₂ figures have been converted into NEDC-equivalent values for use with the current VED and BiK tax legislation.

Figures shown are for comparability purposes; only compare with other cars tested to the same technical procedures. Figures may not reflect real life driving results, which will depend upon a number of factors including factory-fitted options, accessories fitted (post registration), variations in weather, driving styles and vehicle load. Further information about the test used to establish fuel consumption and CO₂ figures can be found at <http://www.mercedes-benz.co.uk/WLTP>

²GLE 300 d, GLE 350 d and GLE 400 d engines are RDE (Real Driving Emissions) Step 2 Certified (Euro 6d). This results in a lower VED and BiK rate as these engines will not be subject to the diesel surcharge. A different first year rate of Vehicle Excise Duty (Road Fund Licence) applies for new cars. Please refer to page 65 for the relevant rate for the second and subsequent years

³The recommended on-the-road price includes the Road Fund Licence applicable to the standard model plus delivery charge (£715.00 incl. VAT), new vehicle registration fee (£55.00) and number plates (£25.00 incl. VAT). VAT is calculated at the standard rate of 20%

Model line	Engine	Seats	Transmission	CO ₂ ^{1,*}	Basic RRP excl. VAT (£)	Total RRP incl. VAT (£)	Road Fund Licence (£) ²	Rec. OTR price (£) ³	P11D value (£)	BiK tax rate 2020/21 (%)
AMG Line Premium	GLE 300 d 4MATIC Diesel - 1,950 cc, 4-cylinder, 245 hp/180 kW	5 seats	9G-TRONIC 9-speed automatic	169	49,325.00	59,190.00	530.00	60,515.00	59,930.00	37
		7 seats	9G-TRONIC 9-speed automatic	169	50,987.50	61,185.00	530.00	62,510.00	61,925.00	37
	GLE 350 de 4MATIC Diesel - 1,950 cc, 4-cylinder, 245 hp/180 kW	5 seats	9G-TRONIC 9-speed automatic	tba	tba	tba	tba	tba	tba	tba
	GLE 350 d 4MATIC Diesel - 2,925 cc, 6-cylinder, 272 hp/200 kW	5 seats	9G-TRONIC 9-speed automatic	188	52,512.50	63,015.00	855.00	64,665.00	63,755.00	37
		7 seats	9G-TRONIC 9-speed automatic	188	54,175.00	65,010.00	855.00	66,660.00	65,750.00	37
	GLE 450 4MATIC Petrol - 2,999 cc, 6-cylinder, 367 hp/270 kW EQ Boost - 22 hp/16 kW	7 seats	9G-TRONIC 9-speed automatic	194	54,120.83	64,645.00	1,280.00	67,020.00	65,685.00	37
AMG Line Premium Plus	GLE 300 d 4MATIC Diesel - 1,950 cc, 4-cylinder, 245 hp/180 kW	5 seats	9G-TRONIC 9-speed automatic	169	52,241.67	62,690.00	530.00	64,015.00	63,430.00	37
		7 seats	9G-TRONIC 9-speed automatic	169	53,904.17	64,685.00	530.00	66,010.00	65,425.00	37
	GLE 350 de 4MATIC Diesel - 1,950 cc, 4-cylinder, 245 hp/180 kW	5 seats	9G-TRONIC 9-speed automatic	tba	tba	tba	tba	tba	tba	tba
	GLE 350 d 4MATIC Diesel - 2,925 cc, 6-cylinder, 272 hp/200 kW	5 seats	9G-TRONIC 9-speed automatic	188	55,429.17	66,515.00	855.00	68,165.00	67,255.00	37
		7 seats	9G-TRONIC 9-speed automatic	188	57,091.67	68,510.00	855.00	70,160.00	69,250.00	37
	GLE 400 d 4MATIC Diesel - 2,925 cc, 6-cylinder, 330 hp/243 kW	7 seats	9G-TRONIC 9-speed automatic	189	58,987.50	70,785.00	855.00	72,435.00	71,525.00	37
GLE 450 4MATIC Petrol - 2,999 cc, 6-cylinder, 367 hp/270 kW EQ Boost - 22 hp/16 kW	7 seats	9G-TRONIC 9-speed automatic	194	57,037.50	68,445.00	1,280.00	70,520.00	69,185.00	37	

¹The indicated values were determined according to the prescribed measurement method - Worldwide Harmonised Light Vehicle Test Procedure (WLTP). Figures shown may include options which are not available in the UK.

*CO₂ figures have been converted into NEDC-equivalent values for use with the current VED and BIK tax legislation.

Figures shown are for comparability purposes; only compare with other cars tested to the same technical procedures. Figures may not reflect real life driving results, which will depend upon a number of factors including factory-fitted options, accessories fitted (post registration), variations in weather, driving styles and vehicle load. Further information about the test used to establish fuel consumption and CO₂ figures can be found at <http://www.mercedes-benz.co.uk/WLTP>

²GLE 300 d, GLE 350 d and GLE 400 d engines are RDE (Real Driving Emissions) Step 2 Certified (Euro 6d). This results in a lower VED and BIK rate as these engines will not be subject to the diesel surcharge. A different first year rate of Vehicle Excise Duty (Road Fund Licence) applies for new cars. Please refer to page 65 for the relevant rate for the second and subsequent years

³The recommended on-the-road price includes the Road Fund Licence applicable to the standard model plus delivery charge (£715.00 incl. VAT), new vehicle registration fee (£55.00) and number plates (£25.00 incl. VAT). VAT is calculated at the standard rate of 20%

Model line	Engine	Seats	Transmission	CO ₂ ^{1,*}	Basic RRP excl. VAT (£)	Total RRP incl. VAT (£)	Road Fund Licence (£) ²	Rec. OTR price (£) ³	P11D value (£)	BiK tax rate 2020/21 (%)
Mercedes-AMG Premium	GLE 53 4MATIC+ Petrol – 2,987 cc, 6-cylinder, 435 hp/320 kW EQ Boost – 22 hp/16 kW	7 seats	9G-TRONIC 9-speed automatic	212	60,345.83	72,415.00	1,280.00	74,490.00	73,155.00	37
Mercedes-AMG Premium Plus	GLE 53 4MATIC+ Petrol – 2,987 cc, 6-cylinder, 435 hp/320 kW EQ Boost – 22 hp/16 kW	7 seats	9G-TRONIC 9-speed automatic	212	65,341.67	78,410.00	1,280.00	80,485.00	79,150.00	37

¹The indicated values were determined according to the prescribed measurement method – Worldwide Harmonised Light Vehicle Test Procedure (WLTP). Figures shown may include options which are not available in the UK.

*CO₂ figures have been converted into NEDC-equivalent values for use with the current VED and BiK tax legislation.

Figures shown are for comparability purposes; only compare with other cars tested to the same technical procedures. Figures may not reflect real life driving results, which will depend upon a number of factors including factory-fitted options, accessories fitted (post registration), variations in weather, driving styles and vehicle load. Further information about the test used to establish fuel consumption and CO₂ figures can be found at <http://www.mercedes-benz.co.uk/WLTP>

²GLE 300 d, GLE 350 d and GLE 400 d engines are RDE (Real Driving Emissions) Step 2 Certified (Euro 6d). This results in a lower VED and BiK rate as these engines will not be subject to the diesel surcharge. A different first year rate of Vehicle Excise Duty (Road Fund Licence) applies for new cars. Please refer to page 65 for the relevant rate for the second and subsequent years

³The recommended on-the-road price includes the Road Fund Licence applicable to the standard model plus delivery charge (£715.00 incl. VAT), new vehicle registration fee (£55.00) and number plates (£25.00 incl. VAT). VAT is calculated at the standard rate of 20%

Pricing summary for model lines

Model	Transmission	Seats	Recommended OTR price (£) ¹					
			AMG Line	AMG Line Executive	AMG Line Premium	AMG Line Premium Plus	Mercedes-AMG Premium	Mercedes-AMG Premium Plus
GLE 300 d 4MATIC	9G-TRONIC 9-speed automatic	5 seats	57,015.00	58,515.00	60,515.00	64,015.00	-	-
		7 seats	59,010.00	60,510.00	62,510.00	66,010.00	-	-
GLE 350 de 4MATIC	9G-TRONIC 9-speed automatic	5 seats	tba	-	tba	tba	-	-
GLE 350 d 4MATIC	9G-TRONIC 9-speed automatic	5 seats	61,165.00	62,665.00	64,665.00	68,165.00	-	-
		7 seats	63,160.00	64,660.00	66,660.00	70,160.00	-	-
GLE 400 d 4MATIC	9G-TRONIC 9-speed automatic	7 seats	-	-	-	72,435.00	-	-
GLE 450 4MATIC	9G-TRONIC 9-speed automatic	7 seats	-	-	67,020.00	70,520.00	-	-
GLE 53 4MATIC+	9G-TRONIC 9-speed automatic	7 seats	-	-	-	-	74,490.00	80,485.00

¹The recommended on-the-road price includes the Road Fund Licence applicable to the standard model plus delivery charge (£715.00 incl. VAT), new vehicle registration fee (£55.00) and number plates (£25.00 incl. VAT). VAT is calculated at the standard rate of 20%



> View offers



> Book a test drive



> Find a Retailer



> View the Range Guide

Colours, trim and upholstery





> View offers



> Book a test drive



> Find a Retailer



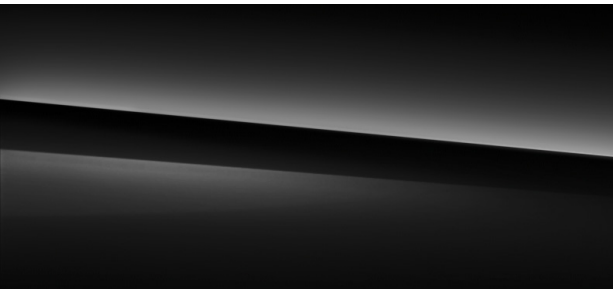
> View the Range Guide

Colours and materials

38

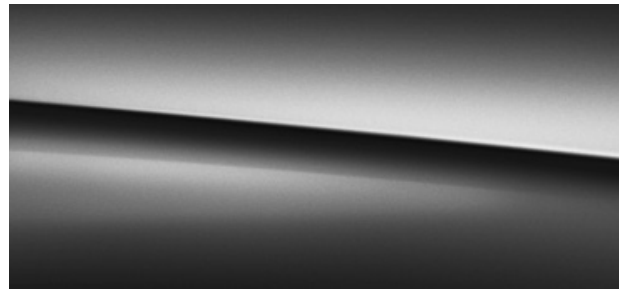
Non-metallic and metallic paints (standard and optional)

Total prices incl. VAT



040 black non-metallic

standard



197 obsidian black metallic

£685.00



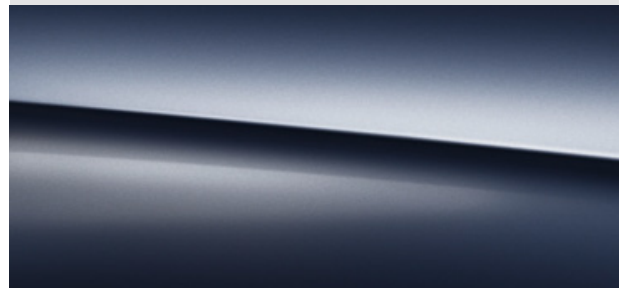
989 emerald green metallic

£685.00



149 polar white non-metallic

no-cost option



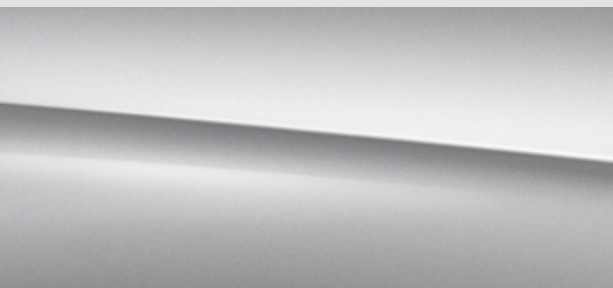
890 cavansite blue metallic

£685.00



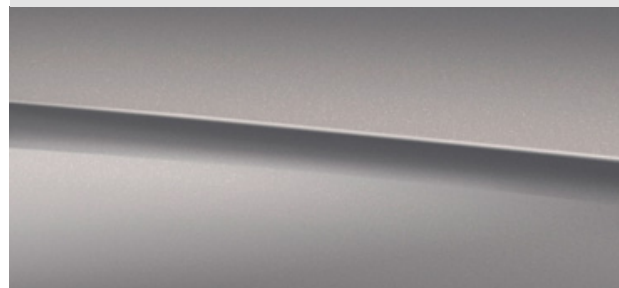
896 brilliant blue metallic

£685.00



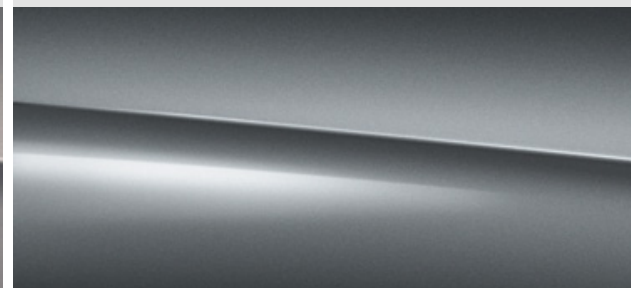
775 iridium silver metallic

£685.00



859 mojave silver metallic

£685.00



992 selenite grey metallic

£685.00

Please note that, owing to limitations of on-screen representation, paint colours may differ from those shown



> View offers



> Book a test drive



> Find a Retailer



> View the Range Guide

Colours and materials

39

Special paints (additional-cost options)

Total prices incl. VAT



799 designo diamond white metallic

£895.00



996 designo hyacinth red metallic

£895.00



> View offers



> Book a test drive



> Find a Retailer



> View the Range Guide

Colours and materials

40

Trim



Upholstery



801A nappa leather¹ – black

AMG Line
 AMG Line Executive
 AMG Line Premium
 AMG Line Premium Plus

Mercedes-AMG Premium
 Mercedes-AMG Premium Plus



851A AMG nappa leather¹ – black

AMG Line
 AMG Line Executive
 AMG Line Premium
 AMG Line Premium Plus

Mercedes-AMG Premium
 Mercedes-AMG Premium Plus



854A nappa leather¹ –
 two-tone - truffle brown/black

AMG Line
 AMG Line Executive
 AMG Line Premium
 AMG Line Premium Plus

Mercedes-AMG Premium
 Mercedes-AMG Premium Plus



855A nappa leather¹ –
 two-tone - macchiato beige/black

AMG Line
 AMG Line Executive
 AMG Line Premium
 AMG Line Premium Plus

Mercedes-AMG Premium
 Mercedes-AMG Premium Plus

Wheels



RZV 20" AMG alloy wheels (4) – 5-twin-spoke design, painted tremolite grey with high-sheen finish, 275/50 tyres



RWA 21" AMG alloy wheels (4) – multi-spoke light-alloy wheels painted in himalayas grey with a high-sheen finish, front 275/45 tyres; rear: 315/40 tyres



RXS 22" AMG alloy wheels (4) – 5-twin-spoke light-alloy wheels painted in tremolite grey with a high-sheen finish, front 285/40 tyres; rear: 325/35 tyres



RWB 21" AMG alloy wheels (4) – multi-spoke light-alloy wheels painted in black with a high-sheen finish, front 275/45 tyres; rear: 315/40 tyres

AMG Line	●
AMG Line Executive	-
AMG Line Premium 300 d	-
AMG Line Premium 350 de	●
AMG Line Premium 350 d/450	-
AMG Line Premium Plus 300 d	-
AMG Line Premium Plus 350 de	●
AMG Line Premium Plus 350 d/400 d/450	-
Mercedes-AMG Premium	-
Mercedes-AMG Premium Plus	-

AMG Line	-
AMG Line Executive	●
AMG Line Premium 300 d	●
AMG Line Premium 350 de	-
AMG Line Premium 350 d/450	-
AMG Line Premium Plus 300 d	-
AMG Line Premium Plus 350 de	-
AMG Line Premium Plus 350 d/400 d/450	-
Mercedes-AMG Premium	-
Mercedes-AMG Premium Plus	-

AMG Line	-
AMG Line Executive	-
AMG Line Premium 300 d	-
AMG Line Premium 350 de	-
AMG Line Premium 350 d/450	●
AMG Line Premium Plus 300 d	-
AMG Line Premium Plus 350 de	-
AMG Line Premium Plus 350 d/400 d/450	-
Mercedes-AMG Premium	-
Mercedes-AMG Premium Plus	-

AMG Line	-
AMG Line Executive	-
AMG Line Premium 300 d	-
AMG Line Premium 350 de	-
AMG Line Premium 350 d/450	-
AMG Line Premium Plus 300 d	●
AMG Line Premium Plus 350 de	-
AMG Line Premium Plus 350 d/400 d/450	-
Mercedes-AMG Premium	-
Mercedes-AMG Premium Plus	-



RWA 22" AMG alloy wheels (4) – 5-twin-spoke light-alloy wheels painted in black with a high-shine finish, front 285/40 tyres; rear: 325/35 tyres

AMG Line	-
AMG Line Executive	-
AMG Line Premium 300 d	-
AMG Line Premium 350 de	-
AMG Line Premium 350 d/450	-
AMG Line Premium Plus 300 d	-
AMG Line Premium Plus 350 de	-
AMG Line Premium Plus 350 d/400 d/450	●
Mercedes-AMG Premium	-
Mercedes-AMG Premium Plus	-



RWD 21" AMG alloy wheels (4) – 5-twin-spoke light-alloy wheels painted in titanium grey with a high-shine finish, front 275/45 tyres; rear: 315/40 tyres

AMG Line	-
AMG Line Executive	-
AMG Line Premium 300 d	-
AMG Line Premium 350 de	-
AMG Line Premium 350 d/450	-
AMG Line Premium Plus 300 d	-
AMG Line Premium Plus 350 de	-
AMG Line Premium Plus 350 d/400 d/450	-
Mercedes-AMG Premium	●
Mercedes-AMG Premium Plus	-



RXV 22" AMG alloy wheels (4) – cross-spoke light-alloy wheels painted in matt black with high-shine rim flange, front 285/40 tyres; rear: 325/35 tyres

AMG Line	-
AMG Line Executive	-
AMG Line Premium 300 d	-
AMG Line Premium 350 de	-
AMG Line Premium 350 d/450	-
AMG Line Premium Plus 300 d	-
AMG Line Premium Plus 350 de	-
AMG Line Premium Plus 350 d/400 d/450	-
Mercedes-AMG Premium	-
Mercedes-AMG Premium Plus	●

Standard equipment

Item	AMG Line	AMG Line Executive	AMG Line Premium	AMG Line Premium Plus
Engine, Transmission and Suspension				
9G-TRONIC 9-speed automatic transmission	●	●	●	●
AGILITY CONTROL suspension with selective damping system and lowering by 15 mm	●	●	●	●
AIRMATIC package (excluding 300 d) – the vehicle's rear can be lowered by around 40 mm using a switch, for easier loading and unloading	●	●	●	●
DYNAMIC SELECT with a choice of driving modes: 'Eco', 'Comfort', 'Sport' and 'Individual'	●	●	●	●
ECO start/stop function	●	●	●	●
EQ Boost starter-alternator (450 4MATIC ONLY)	–	–	●	●
Steering				
Direct-Steer speed-sensitive steering	●	●	●	●
Steering column – manually adjustable for height and reach	●	●	●	●
Steering wheel – AMG 3-spoke multifunction steering wheel with touch control buttons, trimmed in black nappa leather with flattened bottom section	●	●	●	●
Steering wheel – multifunction, with gearshift paddles	●	●	●	●
Steering wheel – touch-control buttons for audio and onboard settings	●	●	●	●

Item	AMG Line	AMG Line Executive	AMG Line Premium	AMG Line Premium Plus
Exterior				
Mirror package – electrically folding mirrors, automatically-dimming driver's exterior mirror and rear view mirror, and image projection logo	●	●	●	●
85-litre fuel tank	●	●	●	●
Adaptive Highbeam Assist	●	●	●	●
Aluminium-look illuminated running boards with rubber studs	●	●	●	●
Aluminium running boards	●	●	●	●
AMG bodystyling – front and rear aprons, side skirts in polished aluminium	●	●	●	●
EASYPACK tailgate: open/close the boot lid from the driver's seat when the vehicle is stationary and unlocked	●	●	●	●
Exterior mirrors – body colour	●	●	●	●
Exterior mirrors – heated and electronically adjustable	●	●	●	●
KEYLESS entry	–	–	–	●
Lights – LED High Performance headlamps	●	●	–	–
Lights – LED rear lights	●	●	●	●
Lights – Multibeam LED headlamps	–	–	●	●
Panoramic glass sunroof	–	–	–	●
Parking – Parking package including 360° camera	–	–	●	●
Parking – Parking package including Active Parking Assist, with front and rear parking sensors. The system automatically steers the vehicle into parking spaces. Bay and parallel parking capable	●	●	●	●

Item	AMG Line	AMG Line Executive	AMG Line Premium	AMG Line Premium Plus
Exterior (continued)				
Perforated front brake discs and brake calipers with 'Mercedes-Benz' lettering	●	●	●	●
Roof rail systems	●	●	●	●
Privacy glass – heat-insulating dark-tinted glass	●	●	●	●
Radiator grille with integrated star – single louvre in matt iridium silver with chrome trim	●	●	●	●
Rain-sensing windscreen wipers	●	●	●	●
Reversing camera	●	●	●	●
Summer tyres with noise-reducing foam absorber	●	●	●	●
Tinted glass, green – front	●	●	●	●
TIREFIT with tyre inflation compressor	●	●	●	●
Top surround of side windows in polished aluminium	●	●	●	●
Visible twin-pipe exhaust trims integrated into rear bumper	●	●	●	●
Waistline in polished aluminium	●	●	●	●
Interior				
ENERGIZING Comfort package	–	–	–	●
Automatic climate control – two-zone (7-seat models: four-zone)	●	●	●	●
Central stowage compartment with 12 V socket in centre console Replaced with USB socket in conjunction with optional wireless charging	●	●	●	●

Item	AMG Line	AMG Line Executive	AMG Line Premium	AMG Line Premium Plus
Charging cable for wallbox and public charging stations (mode 3) – 8 m, 16 A (350 de)	●	–	●	●
Charging cable for household socket (mode 2) – 8 m, 8 A ¹ (350 de)	●	–	●	●
Courtesy lights in rear grab handles with reading light functionality	●	●	●	●
Door pins in chrome	●	●	●	●
Electric windows (4) – with one-touch opening and closing, including obstruction sensors	●	●	●	●
Electronic key – chrome surround	●	●	●	●
Floor mats with 'AMG' lettering	●	●	●	●
Front centre armrest with stowage compartment and illuminated grab handles	●	●	●	●
Front door sill panels with 'AMG' lettering – illuminated	●	●	●	●
Glasses compartment in overhead control panel	●	●	●	●
Glove compartment – lockable, air conditioned and illuminated	●	●	●	●
Head restraints for driver and front passenger (four-way adjustability) and in rear (two-way)	●	●	●	●
Instrument cluster – widescreen (12.3-inch) cockpit display High resolution screen with choice of three display styles and unique ambient lighting settings based on display styles 'Classic', 'Progressive' or 'Sport'	●	●	●	●



Item	AMG Line	AMG Line Executive	AMG Line Premium	AMG Line Premium Plus
Interior (continued)				
Interior 64-colour ambient lighting – dynamic multicolour LED lighting of trim on dashboard, centre console, front grab handles, front and rear door panelling; in front and rear door pockets, cup holder and stowage compartment, rear footwell and rear door handle recesses 10 colour palettes with various colour combinations Climate control effects with colour feedback Three unique ambient lighting settings based on display styles ‘Classic’, ‘Progressive’ or ‘Sport’ Welcome light effect upon entry to cabin	●	●	●	●
KEYLESS-GO starting function	●	●	●	●
Outside temperature display	●	●	●	●
Seats – Memory package	–	–	●	●
Seats – front, four-way fully-electric seat adjustment	●	●	●	●
Seats – front, heated	●	●	●	●
Seats – second row, three seats (5 seats)	●	●	●	●
Seats – second row, three seats, electronically adjustable (7 seats)	●	●	●	●
Seats – second row, split folding 40:20:40	●	●	●	●
Seats – third row of seats for two people (7 seats)	○	○	○	○
Service indicator ASSYST	●	●	●	●
Sports pedals in brushed stainless steel with rubber studs	●	●	●	●
Sun visors with illuminated vanity mirrors	●	●	●	●
Trip computer in multifunction display showing current fuel consumption	●	●	●	●

Item	AMG Line	AMG Line Executive	AMG Line Premium	AMG Line Premium Plus
Paint, Trim and Upholstery				
Paint – non-metallic	●	●	●	●
Roof liner – black fabric	●	●	●	●
Trim – centre console, anthracite open-pore oak wood trim	●	●	●	●
Trim – dashboard and door, anthracite open-pore oak wood trim	●	●	●	●
Trim – upper dashboard, ARTICO man-made leather with contrast topstitching	●	●	●	●
Upholstery – nappa leather	●	●	●	●
Security and Assistance Systems				
Anti-Theft Protection package	●	●	●	●
Driving Assistance package	–	–	–	●
Blind Spot Assist	●	●	●	●
Active bonnet – pedestrian safety measure which detects an impact and raises bonnet	●	●	●	●
Active Braking Assist	●	●	●	●
Adaptive brake lights	●	●	●	●
Adaptive Brake System with HOLD function and brake drying in the wet	●	●	●	●
Airbags – driver and front passenger, with extended adaptivity for front passenger airbag	●	●	●	●
Airbag – kneebag for driver	●	●	●	●



Item	AMG Line	AMG Line Executive	AMG Line Premium	AMG Line Premium Plus
Security and Assistance Systems (continued)				
Airbags – sidebag for driver and front passenger (combined thorax/pelvis bag)	●	●	●	●
Airbags – windowbags	●	●	●	●
Alarm system with immobiliser and interior protection	●	●	●	●
Anti-lock braking system (ABS)	●	●	●	●
Attention Assist – can help alert to long journey fatigue	●	●	●	●
Automatic child seat recognition sensor	●	●	●	●
Brake wear warning display	●	●	●	●
Central locking with interior switch, automatic locking and crash sensor with emergency opening function	●	●	●	●
Childproof locks – manually operated for rear doors and electrically operated for rear power windows	●	●	●	●
Cruise control with variable speed limiter	●	●	●	●
Diesel Particulate Filter (DPF) – diesel models only	●	●	●	●
DISTRONIC	–	–	–	●
Electronic parking brake	●	●	●	●
Electronic Stability Programme (ESP®)	●	●	●	●

Item	AMG Line	AMG Line Executive	AMG Line Premium	AMG Line Premium Plus
First-aid kit and warning triangle	●	●	●	●
Incorrect fuelling protection – diesel models only	●	●	●	●
ISOFIX second row child seat attachment points – two outer rear seats	●	●	●	●
Lane-Keeping Assist	●	●	●	●
Mercedes-Benz emergency call system	●	●	●	●
Petrol Particulate Filter (PPF) – petrol models only	–	–	●	●
PRE-SAFE® anticipatory safety system	●	●	●	●
Remote boot release	●	●	●	●
Seat belts – three-point	●	●	●	●
Seat occupancy sensor for front passenger seat	●	●	●	●
Speed Limit Assist	●	●	●	●
Status display for rear seat belts in instrument cluster	●	●	●	●
Traffic Sign Assist, Traffic sign recognition including wrong-way warning function and display of posted speed limits in the instrument cluster	●	●	●	●
Tyre pressure monitoring and loss warning system	●	●	●	●



Item	AMG Line	AMG Line Executive	AMG Line Premium	AMG Line Premium Plus
Communications and In-Car Entertainment				
Aerial for GPS	●	●	●	●
Burmester® surround sound system	-	-	-	●
DAB digital radio tuner	●	●	●	●
Dual Bluetooth® interface, 2 USB ports (type C)	●	●	●	●
Hard-disk navigation	●	●	●	●
“Hey Mercedes” voice activation	●	●	●	●
Live Traffic Information (free for first three years)	●	●	●	●
MBUX for augmented navigation	-	-	●	●
MBUX multimedia system	●	●	●	●
Media display – high-resolution 12.3-inch touchscreen display	●	●	●	●
Mercedes me connect (standard services) Including emergency call system (eCall), accident recovery, breakdown and maintenance management	●	●	●	●

Item	AMG Line	AMG Line Executive	AMG Line Premium	AMG Line Premium Plus
Mercedes me connect (vehicle monitoring) Free of charge for first three years - extension possible and pricing information available via Mercedes me store	●	●	●	●
Geofencing				
Parked vehicle locator				
Vehicle monitoring				
Vehicle tracker				
Radio aerial integrated into rear window	●	●	●	●
Smartphone integration	-	●	●	●
Wireless charging ¹	●	●	●	●

AMG standard equipment

Item	Mercedes-AMG Premium	Mercedes-AMG Premium Plus
Engine, Transmission and Suspension		
9G-TRONIC 9-speed automatic transmission	●	●
AGILITY CONTROL suspension with selective damping system and lowering by 15 mm	●	●
AIRMATIC package – the vehicle’s rear can be lowered by around 40 mm using a switch, for easier loading and unloading	●	●
AMG RIDE CONTROL sports suspension based on AIR BODY CONTROL air suspension	●	●
AMG SPEEDSHIFT TCT 9-speed transmission	●	●
DYNAMIC SELECT with a choice of driving modes: ‘Eco’, ‘Comfort’, ‘Sport’ and ‘Individual’	●	●
ECO start/stop function	●	●
EQ Boost starter-alternator	●	●
Steering		
Direct-Steer speed-sensitive steering	●	●
Multifunction sports steering wheel in nappa leather	●	●
Steering column – electrically adjustable for height and rear	●	●
Steering wheel – 3-spoke design with flattened bottom section	●	●
Steering wheel – multifunction, with gearshift paddles	●	●
Steering wheel – touch-control buttons for audio and onboard settings	●	●

Item	Mercedes-AMG Premium	Mercedes-AMG Premium Plus
Exterior		
AMG Night package	–	●
Mirror package – electrically folding mirrors, automatically-dimming driver’s exterior mirror and rear view mirror, and image projection logo	●	●
85-litre fuel tank	●	●
Adaptive Highbeam Assist	●	●
Aluminium-look illuminated running boards with rubber studs	●	●
Aluminium running boards	●	●
AMG bodystyling – front and rear aprons, side skirts in polished aluminium	●	●
AMG Performance exhaust	●	●
EASYPACK tailgate: open/close the boot lid from the driver’s seat when the vehicle is stationary and unlocked	●	●
Exterior mirrors – body colour	●	●
Exterior mirrors – heated and electronically adjustable	●	●
KEYLESS entry	–	●
LED High Performance headlamps	●	●
Lights – LED rear lights	●	●
Lights – MULTIBEAM LED headlamps	●	●



Item	Mercedes-AMG Premium	Mercedes-AMG Premium Plus
	Exterior (continued)	
Parking – Parking package including Active Parking Assist, with 360° camera. The system automatically steers the vehicle into parking spaces. Bay and parallel parking capable	●	●
Panoramic glass sunroof	–	●
Perforated front brake discs and anodised silver brake calipers with 'AMG' leetering	●	●
Roof rail systems	●	●
Privacy glass – heat-insulating dark-tinted glass	●	●
Radiator grille with integrated star – single louvre in matt iridium silver with chrome trim	●	●
Rain-sensing windscreen wipers	●	●
Reversing camera	●	●
Summer tyres with noise-reducing foam absorber	●	●
Tinted glass, green – front	●	●
TIREFIT with tyre inflation compressor	●	●
Top surround of side windows in polished aluminium	●	●
Visible twin-pipe exhaust trims integrated into rear bumper	●	●
Waistline in polished aluminium	●	●

Item	Mercedes-AMG Premium	Mercedes-AMG Premium Plus
	Interior	
ENERGIZING Comfort package	–	●
Automatic climate control – four-zone	●	●
Central stowage compartment with 12 V socket in centre console Replaced with USB socket in conjunction with optional wireless charging	●	●
Courtesy lights in rear grab handles with reading light functionality	●	●
Door pins in chrome	●	●
Electric windows (4) – with one-touch opening and closing, including obstruction sensors	●	●
Electronic key – chrome surround	●	●
Floor mats with 'AMG' lettering	●	●
Front centre armrest with stowage compartment and illuminated grab handles	●	●
Front door sill panels with 'AMG' lettering – illuminated	●	●
Glasses compartment in overhead control panel	●	●
Glove compartment – lockable, air conditioned and illuminated	●	●
Head restraints for driver and front passenger (four-way adjustability) and in rear (two-way)	●	●

Item	Mercedes-AMG Premium	Mercedes-AMG Premium Plus
Interior (continued)		
Instrument cluster – widescreen (12.3-inch) cockpit display. High resolution screen with choice of three display styles and unique ambient lighting settings based on display styles 'Classic', 'Progressive' or 'Sport'	●	●
Instrument cluster – AMG main menu, including RACETIMER and AMG start-up display. Displays valuable information for sporty drivers presented in an inspiring AMG design. With RACETIMER it is possible to measure lap times	●	●
Interior 64-colour ambient lighting – dynamic multicolour LED lighting of trim on dashboard, centre console, front grab handles, front and rear door panelling; in front and rear door pockets, cup holder and stowage compartment, rear footwell and rear door handle recesses 10 colour palettes with various colour combinations Climate control effects with colour feedback Three unique ambient lighting settings based on display styles 'Classic', 'Progressive' or 'Sport' Welcome light effect upon entry to cabin	●	●
KEYLESS-GO starting function	●	●
Outside temperature display	●	●
Seats – Memory package	●	●
Seats – front, AMG sports seats	●	●
Seats – front, four-way fully-electric seat adjustment	●	●
Seats – front, heated	●	●

Item	Mercedes-AMG Premium	Mercedes-AMG Premium Plus
Seats – second row, three seats, electronically adjustable	●	●
Seats – second row, split folding 40:20:40	●	●
Seats – third row of seats for two people	●	●
Service indicator ASSYST	●	●
Sports pedals in brushed stainless steel with rubber studs	●	●
Sun visors with illuminated vanity mirrors	●	●
Trip computer in multifunction display showing current fuel consumption	●	●

Paint, Trim and Upholstery

Paint – non-metallic	●	●
Roof liner – black fabric	●	●
Trim – centre console, anthracite open-pore oak wood trim	●	●
Trim – dashboard and door, anthracite open-pore oak wood trim	●	●
Trim – upper dashboard, ARTICO leather ¹ with contrast topstitching	●	●
Upholstery – AMG nappa leather	●	●
Upholstery – third row, ARTICO man-made leather	●	●



Item	Mercedes-AMG Premium	Mercedes-AMG Premium Plus
	Safety and Assistance Systems	
Anti-Theft Protection package	●	●
Driving Assistance package	-	●
Blind Spot Assist	-	●
Active bonnet – pedestrian safety measure which detects an impact and raises bonnet	●	●
Active Braking Assist	●	●
Adaptive brake lights	●	●
Adaptive Brake System with HOLD function and brake drying in the wet	●	●
Airbags – driver and front passenger, with extended adaptivity for front passenger airbag	●	●
Airbag – kneebag for driver	●	●
Airbags – sidebag for driver and front passenger (combined thorax/pelvis bag)	●	●
Airbags – windowbags	●	●
Alarm system with immobiliser and interior protection	●	●
Anti-lock braking system (ABS)	●	●
Attention Assist – can help alert to long journey fatigue	●	●
Automatic child seat recognition sensor	●	●
Brake wear warning display	●	●
Central locking with interior switch, automatic locking and crash sensor with emergency opening function	●	●
Childproof locks – manually operated for rear doors and electrically operated for rear power windows	●	●

Item	Mercedes-AMG Premium	Mercedes-AMG Premium Plus
	Cruise control with variable speed limiter	●
DISTRONIC	-	●
Electronic parking brake	●	●
Electronic Stability Programme (ESP®)	●	●
First-aid kit and warning triangle	●	●
ISOFIX second row child seat attachment points – two outer rear seats	●	●
Lane-Keeping Assist	●	●
Mercedes-Benz emergency call system	●	●
Petrol Particulate Filter (PPF)	●	●
PRE-SAFE® anticipatory safety system	●	●
Remote boot release	●	●
Seat belts – three-point	●	●
Seat occupancy sensor for front passenger seat	●	●
Speed Limit Assist	●	●
Status display for rear seat belts in instrument cluster	●	●
Traffic Sign Assist, Traffic sign recognition including wrong-way warning function and display of posted speed limits in the instrument cluster	●	●
Tyre pressure monitoring and loss warning system	●	●

Item	Mercedes-AMG Premium	Mercedes-AMG Premium Plus
	Communications and In-Car Entertainment	
Aerial for GPS	●	●
Burmester® surround sound system	-	●
DAB digital radio tuner	●	●
Dual Bluetooth® interface, 2 USB ports (type C)	●	●
Hard-disk navigation	●	●
“Hey Mercedes” voice activation	●	●
Live Traffic Information (free for first three years)	●	●
MBUX for augmented navigation	●	●
MBUX multimedia system	●	●
Media display - high-resolution 12.3-inch touchscreen display	●	●
Mercedes me connect (standard services) Including emergency call system (eCall), accident recovery, breakdown and maintenance management	●	●

Item	Mercedes-AMG Premium	Mercedes-AMG Premium Plus
	Mercedes me connect (vehicle monitoring) Free of charge for first three years - extension possible and pricing information available via Mercedes me store	●
Geofencing		
Parked vehicle locator		
Vehicle monitoring		
Vehicle tracker		
Radio aerial integrated into rear window	●	●
Wireless charging ¹	●	●

ServiceCare

Item	Notes							Basic RRP excl. VAT (£)	Total RRP incl. VAT (£)
Service Package									
ServiceCare ServiceCare allows you to spread the cost of servicing your new car in the Mercedes-Benz Retailer network. Taking out a ServiceCare plan ensures your servicing needs are taken care of by fully trained Mercedes-Benz Technicians with the added benefit of a Mercedes-Benz service history	Price is based on a monthly rate. Example given is for two services taken over 24 months; three services over 36 months; or four services over 48 months. Further payment options are available. New ServiceCare prices apply only to vehicles up to 12 months old prior to first service	1	<input type="radio"/>	<input type="radio"/>	<input type="radio"/>	<input type="radio"/>		28.33	34.00

Genuine Accessories

We've developed a range of Accessories you can add to help personalise and enhance your GLE. Your local Mercedes-Benz Retailer can advise on fitting costs of Accessories, where applicable. Further information on our full range of Genuine Accessories can be found **here** on the Mercedes-Benz UK website.

01 | Concertina load sill protector (A2536932000)

Designed to prevent the bumper from being scratched. Can be secured to boot tub or reversible mat. Helps prevent scratches when loading the load compartment or when loading the Mercedes-Benz roof box.

RRP £41.50 (incl. VAT)



02 | Deep boot tub (A1678140200)

The deep, fitted boot tub (approx. 25 cm at the sides, 8 cm at the load edge) is also suitable for transporting shopping. The HD-PE material is particularly tough yet flexible, as well as odourless, acid-resistant and easy-clean. Ribbed structure for added strength. Lightweight and easy to insert and remove. Cannot be used in conjunction with third row of seats or with hybrid vehicles.

RRP £201.60 (incl. VAT)



03 | Shallow boot tub (A1678140100)

Suitable for transporting shopping. The tub shape with its slightly raised edge is precision-tailored to the load area. Made from impact-resistant, non-slip polypropylene. Cannot be used in conjunction with third row of seats or with hybrid vehicles.

RRP £89.40 (incl. VAT)

04 | Stowage crate (A0008140041)

Supplied with rigid partitioning elements which can be used to divide it into four, making it ideal for holding shopping bags. It is secured in place using tension straps which are attached to the load-securing rings. Full functionality only available in conjunction with shallow boot tub.

RRP £87.50 (incl. VAT)





05 | Folding table (A0008160200)

A practical place to put snacks and drinks during the journey. The folding table with direct adapter features a cup holder insert. Direct adapter makes it easy to secure the table in place on the back of the front seats and to remove it again. Please note: for safety reasons, the folding table must be folded away if a passenger is travelling in the rear of the vehicle.

RRP £134.40 (incl. VAT)



06 | Coat hanger (A0008104100)

For crease-free clothes when you're on the move. It's easy to arrive looking smart: the sturdy coat hanger allows you to hang up items of clothing on board. Rounded ends protect the fabric. Direct adapter makes it easy to secure hanger in place on the back of the front seats and to remove it again. Please note: for safety reasons, the coat hanger must be removed if a passenger is travelling in the rear of the vehicle.

RRP £90.60 (incl. VAT)



07 | Mount for tablet PC (A0008272200)

The ergonomic, crashproof Docking Station introduces the iPad® and all of its familiar functions to your Mercedes-Benz. All connections, e.g. for your headphones or charging cable, remain accessible. The mount is fitted to the head restraint and can be tilted and rotated around 90°.

Available for iPad®, iPad® 2, iPad® 3 and iPad® 4.

RRP £128.40 (incl. VAT)



> View offers



> Book a test drive



> Find a Retailer



> View the Range Guide

08

09



Genuine Accessories

58

08 | Alustyle Easy-Fix II basic carrier bars for roof rails (A1678903000)

Aluminium carrier bars, precision-tailored to the body of your Mercedes-Benz – the perfect basis for a range of Mercedes-Benz transport solutions: ski and snowboard rack, bicycle rack or roof boxes.

RRP £259.20 (incl. VAT)

09 | Mercedes-Benz roof boxes (part numbers vary)

An aerodynamic design, tailored to your Mercedes-Benz. In extremely durable material. Designed for quick, optimised attachment to the basic carrier bars. Particularly convenient loading and unloading thanks to the option of double-sided opening. Lockable from both sides. Available in various sizes.

RRP from £361.50 (incl. VAT)

10 | Alustyle bicycle rack (A0008900293)

Extremely lightweight bicycle rack, designed to allow you to attach a bicycle to the basic carrier bars for roof rails. Bicycles can either be attached to the rack once it has been fitted to the roof or, conveniently, before it is fitted. The support frame can also be folded down when not in use to reduce drag when travelling without cycles.

RRP £121.00 (incl. VAT)

10



Flacon perfume atomiser¹

The winning composition of touch, smell, looks, comfort, sound and style adds to the feeling of enjoyment behind the wheel and the general sense of well-being on board. Step inside and feel an instant affinity with the vehicle's character.



11 | DOWNTOWN MOOD (A0008990288)

Transparent, floral combination of jasmine and lilac, with warm undertones of musk, ambergris and a cashmere note. Top notes include magnolia and rosewood for freshness, peach for softness and an intriguing metallic effect.

RRP £56.00 (incl. VAT)

12 | FREESIDE MOOD (A2228990600)

Citrus elements combine with tea at the heart of this perfume, which is rounded off elegantly with floral top notes. The base notes include hints of cedar, patchouli and ambergris.

RRP £56.00 (incl. VAT)

13 | SPORTS MOOD (A0008990188)

This perfume is surrounded by light, floral tones such as magnolia, gardenia and violet. The green top notes take their freshness and lightness from aspects of grapefruit and watermelon, while the base notes have a mossy nuance.

RRP £56.00 (incl. VAT)

14 | NIGHTLIFE MOOD (A0008990388)

Nightlife mood is enriched with complementary woody notes that give the perfume body. Cool spices such as cardamom and pink pepper give a freshness to the top notes. And the hint of a particular aldehyde balance adds a subtle cognac effect.

RRP £56.00 (incl. VAT)

15 | PACIFIC MOOD (A0008990900)

Take the coast road and feel the ocean breeze caressing your skin and hair. The scent of lemons and oranges wafts through the air, accompanied by an enigmatic blend of spices.

RRP £56.00 (incl. VAT)

¹Only available as part of the AIR-BALANCE package in conjunction with the Premium Plus model lines

Technical data

Model	Diesel engines				Petrol engines		
	GLE 300 d 4MATIC	GLE 350 de 4MATIC	GLE 350 d 4MATIC	GLE 400 d 4MATIC	GLE 450 4MATIC	GLE 53 4MATIC+	
Engine							
Total displacement	cc	1,950	1,950	2,925	2,925	2,999	2,999
Arrangement/cylinders/valves		inline/4/16	inline/4/16	inline/6/24	inline/6/24	inline/6/24	inline/6/24
Power ¹	hp (kW) at rpm	245 (180)/4,200	194 (143)/3,800	272 (200)/3,200-4,600	330 (243)/3,600-4,200	367 (270)/5,500-6,100	435 (320)/6,100
	EQ Boost	-	tba	-	-	22 (16)/900	22 (16)/900
Torque ¹	Nm at rpm	500/1,600-2,400	400/1,600-2,800	600/1,200-3,000	700/1,200-3,200	500/1,600-4,500	520/1,800-5,800
	EQ Boost	-	tba	-	-	250/500	250/500
Transmission							
9G-TRONIC 9-speed automatic		●	●	●	●	●	-
AMG SPEEDSHIFT TCT 9-speed transmission		-	-	-	-	-	●
Tyre sizes							
Front		255/50	255/50	255/50	255/50	255/50	255/50
Rear		255/50	255/50	255/50	255/50	255/50	255/50

Model	Diesel engines				Petrol engines		
	GLE 300 d 4MATIC	GLE 350 de 4MATIC	GLE 350 d 4MATIC	GLE 400 d 4MATIC	GLE 450 4MATIC	GLE 53 4MATIC+	
Performance							
Acceleration 0–62 mph	sec	7.2	6.8	6.6	5.7	5.7	5.3
Top speed	mph	140	130	143	152	155	155 ²
Weights and capacities							
Kerb weight ³	kg	2,165	2,655	2,235	2,265	2,220	2,305
Perm. Gross Vehicle Weight	kg	2,910	3,260	3,070	3,070	3,000	3,050
Towing capacity – unbraked	kg	750	750	750	750	750	750
braked		2,700	2,700	2,700	2,700	2,700	3,500
With Towing package		n/a	n/a	3,500	3,500	3,500	3,500
Boot capacity – seats up		630	490	630	630	630	630
seats down	l	2,055	1,915	2,055	2,055	2,055	2,055
Fuel tank capacity/of which reserve	l	65/9	65/9	65/9	65/9	85/9	85/9
Turning circle kerb to kerb	m	12.00	12.00	12.00	12.00	12.00	12.40

²Electronically limited

³Figures according to Directive 92/21/EC (kerb weight with fuel tank 90% full, driver, 68 kg, and luggage, 7 kg) for standard-specification vehicles. Optional extras and accessories will generally increase this figure and reduce the payload capacity accordingly

Model	Diesel engines				Petrol engines	
	GLE 300 d 4MATIC	GLE 350 de 4MATIC	GLE 350 d 4MATIC	GLE 400 d 4MATIC	GLE 450 4MATIC	GLE 53 4MATIC+

Fuel consumption^{3,4,5}

Combined (consumption dependent on chosen optional equipment) l/100 km mpg	6.1-6.4 46.3-44.1	1.1 256.8	6.8-7.1 41.5-39.8	7.2 39.2	8.5 33.2	9.3 30.4
---	----------------------	--------------	----------------------	-------------	-------------	-------------

CO₂ emissions^{4,5,*}

g/km

Emissions standard	Euro 6d ISC	Euro 6d ISC-FCM	Euro 6d ISC-FCM	Euro 6d ISC-FCM	Euro 6d-TEMP-EVAP-ISC	Euro 6d-TEMP-EVAP-ISC
20" alloy wheels (275/50 tyres)	162	29	179	-	-	-
21" alloy wheels (275/45 + 315/40 tyres)	169	-	188	-	-	212
22" alloy wheels (285/40 + 325/35 tyres)	-	-	188	189	194	212

Insurance

Group rating	tba	tba	tba	tba	tba	tba
--------------	-----	-----	-----	-----	-----	-----

 Insurance ratings may vary depending on model specification. Please refer to <http://www.thatcham.org/abigrouprating/> for further details

³All figures are based on a standard specification with the smallest tyre size ⁴The choice of wheels and transmission may affect CO₂ emissions and corresponding Road Fund Licence

⁵The indicated values were determined according to the prescribed measurement method – Worldwide Harmonised Light Vehicle Test Procedure (WLTP). Figures shown may include options which are not available in the UK.

*CO₂ figures have been converted into NEDC-equivalent values for use with the current VED and BIK tax legislation.

Figures shown are for comparability purposes; only compare with other cars tested to the same technical procedures. Figures may not reflect real life driving results, which will depend upon a number of factors including factory-fitted options, accessories fitted (post registration), variations in weather, driving styles and vehicle load. Further information about the test used to establish fuel consumption and CO₂ figures can be found at <http://www.mercedes-benz.co.uk/WLTP>

GLE 350 d and GLE 400 d engines are RDE (Real Driving Emissions) Step 2 Certified (Euro 6d). This results in a lower VED and BIK rate as these engines will not be subject to the diesel surcharge



> View offers



> Book a test drive

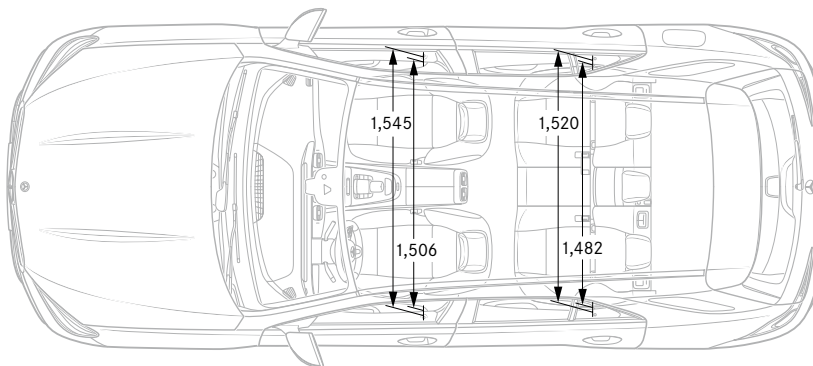
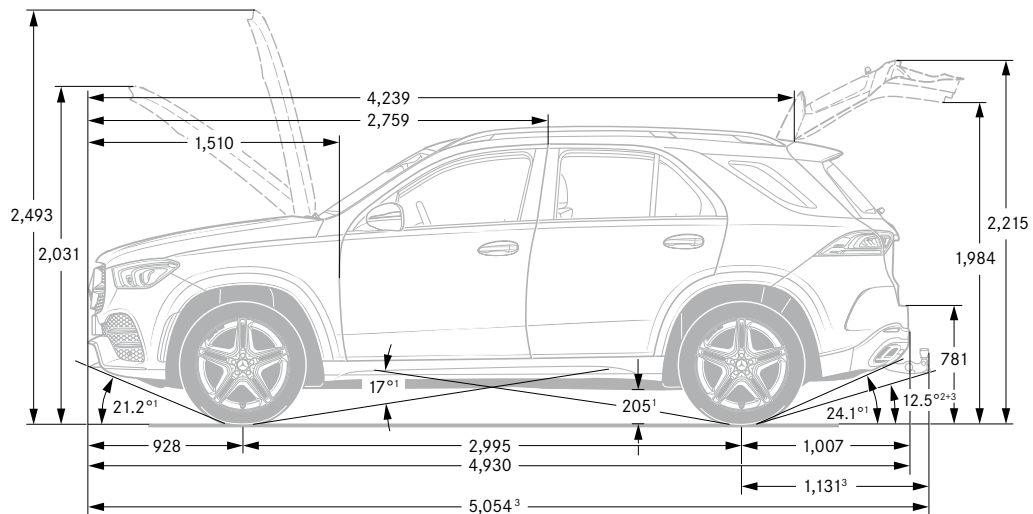
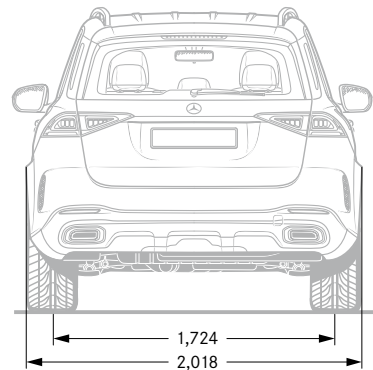
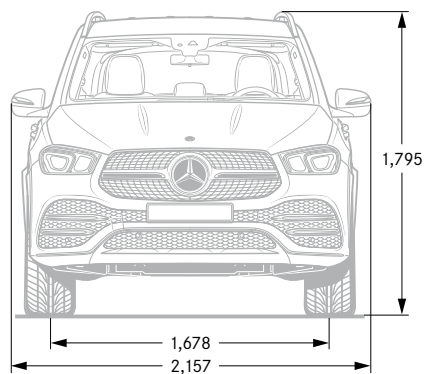


> Find a Retailer



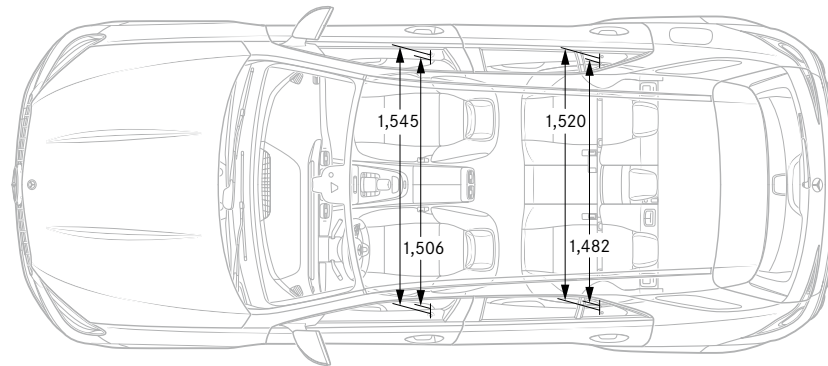
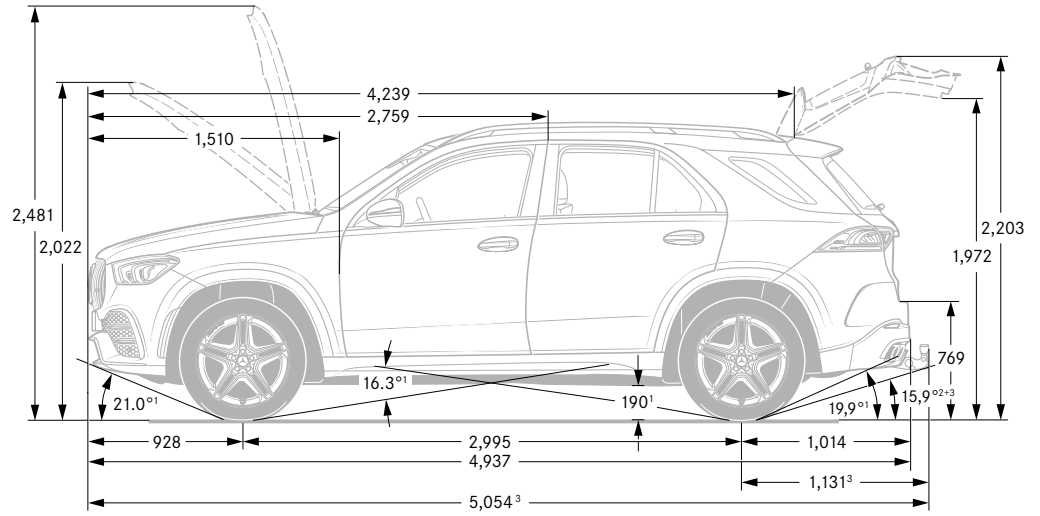
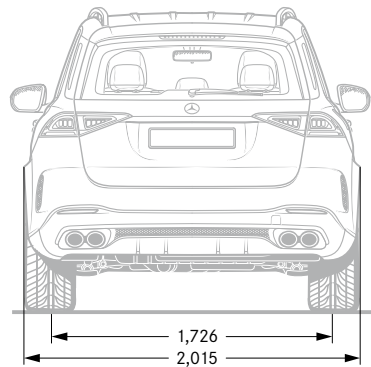
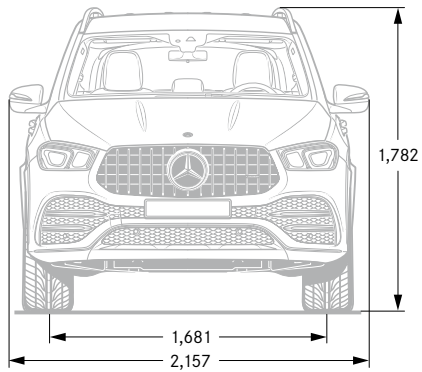
> View the Range Guide

AMG Line



¹At minimum to maximum height with steel suspension ²At Perm. Gross Vehicle Weight ³With trailer tow hitch (optional equipment)
All measurements in millimetres. The dimensions shown are mean values and apply to standard-specification, unladen vehicles

Mercedes-AMG



¹At minimum to maximum height with steel suspension ²At Perm. Gross Vehicle Weight ³With trailer tow hitch (optional equipment)

All measurements in millimetres. The dimensions shown are mean values and apply to standard-specification, unladen vehicles

The figures on pages 60-64 are correct at time of publication. Please refer to the government website for latest data - <http://carfueldata.direct.gov.uk/>

Road Fund Licence



All road vehicle registrations are subject to Vehicle Excise Duty (Road Fund Licence), which varies in accordance with the vehicle's CO₂ emissions. A first year rate for each taxation band will apply. The table below shows the bands (A–M) created by the DVLA and the corresponding Road Fund Licence. CO₂ emissions are listed in the technical data on page 62, and the relevant Excise Duty is reflected in the on-the-road prices on page 33.

Band	CO ₂ emissions (g/km)	First year rate petrol and RDE2 diesel (£)	First year rate all other diesel (£) ¹	First year rate alternative fuel (£)	Standard rate (£)	Premium rate (£) ²
A	0	0.00	0.00	0.00	0.00	320.00
B	1 to 50	10.00	25.00	0.00	145.00	465.00
C	51 to 75	25.00	110.00	15.00	145.00	465.00
D	76 to 90	110.00	130.00	100.00	145.00	465.00
E	91 to 100	130.00	150.00	120.00	145.00	465.00
F	101 to 110	150.00	170.00	140.00	145.00	465.00
G	111 to 130	170.00	210.00	160.00	145.00	465.00
H	131 to 150	210.00	530.00	200.00	145.00	465.00
I	151 to 170	530.00	855.00	520.00	145.00	465.00
J	171 to 190	855.00	1,280.00	845.00	145.00	465.00
K	191 to 225	1,280.00	1,815.00	1,270.00	145.00	465.00
L	226 to 255	1,815.00	2,135.00	1,805.00	145.00	465.00
M	over 255	2,135.00	2,135.00	2,125.00	145.00	465.00

Some of the model features, optional extras and colours shown may not be available, or may only be available in a different specification.

¹Applies to all Mercedes-Benz diesel models which do not comply with RDE (Real Driving Emissions) Step 2 Certified (Euro 6d)

²Premium rate only applicable to vehicles where the list price is over £40,000 including any factory-fitted options, standard UK delivery charge, number plates, fuel and VAT

Services and insurance

Mercedes-Benz ServiceCare

We believe that servicing costs should be as flexible and affordable as possible for your GLE, which is why we offer ServiceCare, an easy way to budget for all your servicing costs. It spreads your bills into manageable payments based on whether you have a new or used Mercedes-Benz.

With ServiceCare we guarantee the price of parts and labour for up to four services and safeguard against any further inflation. It also covers the cost of all recommended service items including brake fluid, spark plugs, air filters, fuel filters and screen wash.

You can choose either to add your servicing costs into your monthly spend or pay the full amount in a one-off payment, giving you peace of mind that they are taken care of for the period of the plan.

To receive a personalised ServiceCare plan recommendation visit the ServiceCare Calculator at servicecarerates.mercedes-benz.co.uk

Warranty and breakdown cover

Every Mercedes-Benz comes with a three-year unlimited mileage warranty against manufacturing or material defects¹ and up to 30 years warranty against perforation due to corrosion from the inside out². What's more, it's also covered by Mercedes-Benz Roadside Assistance – a unique package comprising up to 30 years pan-European breakdown assistance².

Motor Insurance

Superb cover comes as standard. When reviewed by an independent research company, Defaqto, Mercedes-Benz Motor Insurance received a 5-star rating, the highest rating available. We design our Motor Insurance specifically for Mercedes-Benz drivers.

For more information or to obtain a quote, click **here**.

Mercedes-Benz Finance

Why should you finance with Mercedes-Benz?

At Mercedes-Benz we believe a great driving experience should be matched by an equally great ownership experience. That is why we put just as much thought, time and effort into designing our finance options, our service plans and our insurance cover as we do into our vehicles.

We are not in the business of simply providing a loan to fund the purchase of your dream vehicle. We look on it as a journey that we take with you, from the moment you choose your new Mercedes-Benz, to helping you in choosing your next one.

If you would like to find out more about any of our current offers, simply call into your local Mercedes-Benz Retailer where one of our Business Managers will be more than happy to talk you through anything you need to know.

Helping you find the right solution.

You should find our finance packages are more convenient than a traditional personal loan because:

- Funds are immediately available – no waiting for cheques or loans to clear.
- There is no security required – either against your home or other assets.
- We have clear and transparent rates – the APR we quote is the APR you get.
- We have friendly Business Managers – experts in vehicle finance who can talk you through all of your plans in detail.

One of our most popular finance products is Mercedes-Benz Agility (our Personal Contract Purchase product). We also offer Contract Hire, Operating Lease and Hire Purchase solutions. If you would like to find out more about these speak to your Retailer or visit www.mercedes-benz.co.uk/fandi.

Mercedes-Benz Agility (our PCP product).

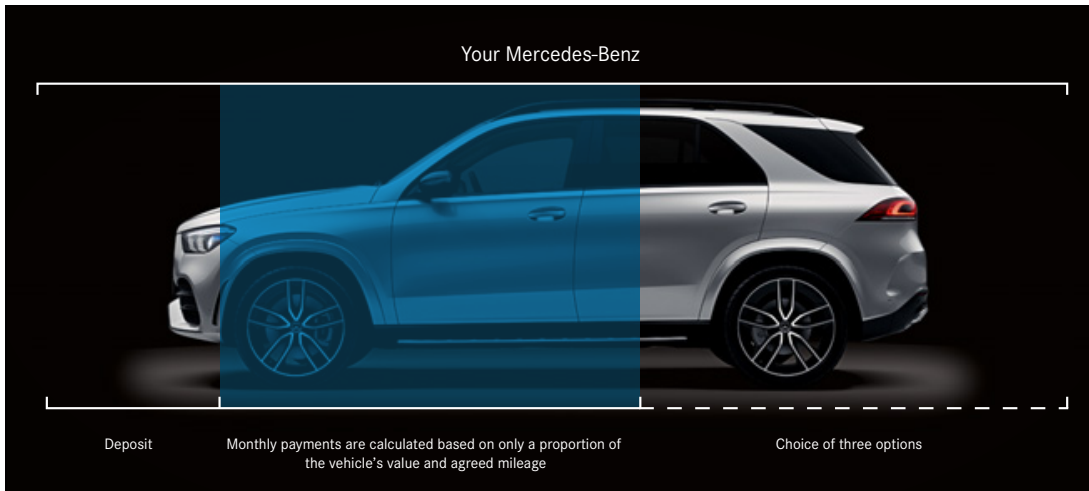
At the start of an Agility agreement, you put down a deposit and decide the term of your agreement and your annual mileage. You will be advised of the Guaranteed Future Value, which offers you the reassurance of knowing exactly what you will need to pay to own the vehicle outright in the future (this is known as the Optional Purchase Payment).

Throughout your agreement you simply pay your agreed monthly payments and when the agreement comes to an end you either purchase, hand back or part-exchange your vehicle.



Agility features:

- Fixed regular payments mean you can easily budget.
- Payments are based only on a proportion of the vehicle's value, keeping your monthly payments lower.
- Our Guaranteed Future Value avoids the risk of unplanned depreciation of your vehicle.
- You defer your ownership decision until the end of the agreement.



At the end of your agreement you have three options to choose from.

Option 1: Purchase your Mercedes-Benz.

Purchase your Mercedes-Benz by paying the Optional Purchase Payment and Purchase Activation Fee.¹ This will complete the purchase of your Mercedes-Benz, leaving you free to simply enjoy your vehicle.

Option 2: Hand back your Mercedes-Benz.


If you decide to return your vehicle to us, it must be in line with our Vehicle Return Standards,^{*} as vehicle condition, excess mileage and other charges may be payable.


Option 3: Part-Exchange for a new vehicle.


Purchase your Mercedes-Benz by paying the Optional Purchase Payment and Purchase Activation Fee.¹ This will complete the purchase of your Mercedes-Benz, leaving you free to part-exchange for a new vehicle.

¹Please note the 'Purchase Activation Fee' of £10 will be debited from your account *To find out more information about our Vehicle Return Standards please visit <http://mercedes-benz.co.uk/vrs>


 > View offers


 > Book a test drive


 > Find a Retailer


 > View the Range Guide

Follow us on the following social media channels:

 facebook.com/mercedesbenzuk

 twitter.com/mercedesbenzuk

 youtube.com/mercedesbenzuk

 instagram.com/mercedesbenzuk

Effective from January 2020 Production. Information correct at time of publication.

Prices and specifications are subject to change without prior notice.

MBV167PL/1119 MY800.5

Mercedes-Benz Cars UK Limited, Tongwell, Milton Keynes, MK15 8BA. Company number 2448457 www.mercedes-benz.co.uk