



Book a [▶ test drive](#)
[▶ AMG test drive](#)



[▶ View offers](#)



[▶ Find a Retailer](#)



[▶ View the Range Guide](#)

SLC

Roadster



Effective from December 2019 Production.

Mercedes-Benz





Book a [test drive](#)
[AMG test drive](#)



[View offers](#)



[Find a Retailer](#)



[View the Range Guide](#)

Contents

5 Model lines

14 Mercedes me

16 Model prices

17 Colours and materials

21 Wheels

22 Standard equipment

26 Genuine Accessories

28 Technical data

32 Road Fund Licence

33 Services and insurance

34 Mercedes-Benz Finance



Book a [test drive](#)
[AMG test drive](#)



[View offers](#)



[Find a Retailer](#)



[View the Range Guide](#)





Book a [test drive](#)
[AMG test drive](#)



[View offers](#)



[Find a Retailer](#)



[View the Range Guide](#)





Book a [test drive](#)
[AMG test drive](#)



[View offers](#)



[Find a Retailer](#)



[View the Range Guide](#)

Final Edition





Experience the special feature of the Final Edition. Developed from an unrivalled combination of design, sportiness and comfort, the SLC Final Edition truly is a showstopper. The exterior impresses with a contrast-rich appearance featuring AMG bodystyling, complemented by 18" AMG 5-spoke alloy wheels. Optionally you can enjoy the Final Edition in the

exclusive special paint finish sun yellow. The interior stands out thanks to AMG seats in nappa leather/DINAMICA upholstery matched by light carbon-grain aluminium trim. While AIRSCARF neck-level heating system extends your open-air driving season, Garmin® MAP PILOT navigation system brings you quickly to your destination.

Exterior

18" AMG 5-spoke alloy wheels

AMG bodystyling – front and rear aprons, side skirts

Electro-hydraulic vario-roof

Metallic or non-metallic paint

Interior

Memory package – driver's seat, passenger seat, steering column and exterior mirrors – electrically adjustable with memory. Includes exterior mirror with parking position and four-way lumbar support for driver and front passenger

AIRSCARF – neck-level heating through air outlets in the head restraints, pleasantly warm air is 'wrapped' around the necks of the driver and passenger like an invisible scarf. The desired temperature can be set in three stages

Garmin® MAP PILOT navigation system with Live Traffic Information

Smartphone integration

Trim and Upholstery

Light carbon-grain aluminium



Upholstery – nappa leather/DINAMICA black/silver pearl



OTR from **£37,120¹**

¹The recommended on-the-road price includes the Road Fund Licence applicable to the standard model plus delivery charge (£715.00 incl. VAT), new vehicle registration fee (£55.00) and number plates (£25.00 incl. VAT). VAT is calculated at the standard rate of 20%



Book a [test drive](#)
[AMG test drive](#)



[View offers](#)



[Find a Retailer](#)



[View the Range Guide](#)

Final Edition Premium





Book a [test drive](#)
[AMG test drive](#)



[View offers](#)



[Find a Retailer](#)



[View the Range Guide](#)

The Final Edition Premium comes with all the style and comfort of the Final Edition and more: namely a panoramic glass sunroof, a reversing camera as well as AIRGUIDE wind deflectors and the Mirror package. Thanks to the

LED Intelligent Light System with Adaptive Highbeam Assist Plus you can enjoy optimum visibility in all traffic conditions. COMAND Online brings you to your destination quicker while enjoying optimum entertainment.

In addition/replacement to Final Edition:

Exterior

Mirror package – electrically folding mirrors, automatically dimming exterior – driver’s mirror, rear-view mirror and external lighting with projection of brand logo

Headlamps – LED Intelligent Light System with Adaptive Highbeam Assist Plus

Panoramic glass sunroof, tinted

Reversing camera

Interior

AIRGUIDE – pivoting, transparent wind deflectors

COMAND Online

Trim and Upholstery

Light carbon-grain aluminium



Upholstery – nappa leather/DINAMICA black/silver pearl



OTR from **£40,916¹**

Upgrade price from Final Edition **£3,796**

¹The recommended on-the-road price includes the Road Fund Licence applicable to the standard model plus delivery charge (£715.00 incl. VAT), new vehicle registration fee (£55.00) and number plates (£25.00 incl. VAT). VAT is calculated at the standard rate of 20%



Book a [test drive](#)
[AMG test drive](#)



[View offers](#)



[Find a Retailer](#)



[View the Range Guide](#)

Mercedes-AMG SLC 43 Final Edition





Book a [test drive](#)
[AMG test drive](#)



[View offers](#)



[Find a Retailer](#)



[View the Range Guide](#)





The Mercedes-AMG SLC 43 Final Edition emphasises the racy appearance of the performance two-seater roadster with exclusive features, such as AMG bodystyling with model-specific front and rear aprons, front splitter in silver chrome and the AMG high-performance braking system with perforated brake discs. Inside, nappa leather/DINAMICA upholstery is matched by dark

carbon-grain aluminium trim. Also included is the AMG Performance steering wheel in nappa leather, an AMG instrument cluster with RACETIMER and AMG door sill panels in brushed stainless steel. Harman Kardon® Logic 7® ensures for a fantastic listening experience while on the road.

Exterior

3.0-litre V6 with modified engine management and higher boost pressure

AMG bodystyling with model-specific front and rear aprons, front splitter in silver chrome plus wheelhouse covers integrated in rear wheel arch linings

AMG high-performance braking system with larger brake discs, perforated all round

AMG mechanical rear-axle limited-slip differential provides improved traction in every driving situation, especially when the driver adopts a sporty driving style

AMG spoiler lip on boot lid

'BITURBO' lettering on front wings

Diamond radiator grille in chrome with high-gloss black louvre

Heated windscreen washer system

Interior

Interior Lighting package – ambient lighting in exterior mirrors, courtesy exit lights in the A-pillars, illuminated front footwell, illumination of centre console stowage compartment, sun visors with illuminated vanity mirror

AMG door sill panels in brushed stainless steel

AMG instrument cluster in chequered-flag design with 175 mph scale and RACETIMER

AMG Performance steering wheel in nappa leather

Analogue clock featuring an IWC design

Harman Kardon® Logic 7® surround sound system – 10 high-performance speakers and a 10-channel amplifier with total output of 500 W (10×50 W)

Start-up display with AMG logo

Trim and Upholstery

Light carbon-grain aluminium



Upholstery – nappa leather/DINAMICA black/silver pearl



OTR from **£49,855¹**

¹The recommended on-the-road price includes the Road Fund Licence applicable to the standard model plus delivery charge (£715.00 incl. VAT), new vehicle registration fee (£55.00) and number plates (£25.00 incl. VAT). VAT is calculated at the standard rate of 20%



Book a [test drive](#)
[AMG test drive](#)



[View offers](#)



[Find a Retailer](#)



[View the Range Guide](#)

Mercedes-AMG SLC 43 Final Edition Premium

12





Book a [test drive](#)
[AMG test drive](#)



[View offers](#)



[Find a Retailer](#)



[View the Range Guide](#)

The Mercedes-AMG SLC 43 Final Edition Premium comes with all the style and comfort of the Mercedes-AMG SLC 43 Final Edition and more: namely a panoramic glass sunroof, a reversing camera as well as AIRGUIDE wind deflectors and the Mirror package. Thanks to the LED Intelligent Light

System with Adaptive Highbeam Assist Plus you can enjoy optimum visibility in all traffic conditions. COMAND Online brings you to your destination quicker while enjoying optimum entertainment.

In addition/replacement to Mercedes-AMG SLC 43 Final Edition:

Exterior

Mirror package – electrically folding mirrors, automatically dimming exterior – driver’s mirror, rear-view mirror and external lighting with projection of brand logo

Headlamps – LED Intelligent Light System with Adaptive Highbeam Assist Plus

Panoramic glass sunroof, tinted

Reversing camera

Interior

AIRGUIDE – pivoting, transparent wind deflectors

COMAND Online

Trim and Upholstery

Light carbon-grain aluminium



Upholstery – nappa leather/DINAMICA black/silver pearl



OTR from **£53,651¹**

Upgrade price from Final Edition **£3,796**

¹The recommended on-the-road price includes the Road Fund Licence applicable to the standard model plus delivery charge (£715.00 incl. VAT), new vehicle registration fee (£55.00) and number plates (£25.00 incl. VAT). VAT is calculated at the standard rate of 20%



Book a > test drive
> AMG test drive



> View offers



> Find a Retailer



> View the Range Guide

Mercedes me connect.

Stay connected, any time, anywhere.

Mercedes me is a range of innovative online services designed to enhance your Mercedes-Benz experience. Accessible via mobile, tablet or PC, Mercedes me lets you enjoy the highest standards of care and support, in a way that integrates seamlessly with your busy lifestyle.



Live Traffic (367)

Visit the Mercedes me connect store or app for pricing.



Live Traffic Information¹

Your navigation system receives traffic data in real time, enabling it to optimise the dynamic route guidance, minimising drive time and offering more precise estimation of arrival times.

Remote Online (11U)

Visit the Mercedes me connect store or app for pricing.



Remote Vehicle Status

Check safety information, such as coolant level and brake pad condition, so you can be sure your car is safe and ready to drive.



Geographic Vehicle Monitoring

Track the location of your car anywhere in the world.



Remote Door Locking/Unlocking

Lock and unlock your car remotely, wherever you are in the world.

For more information speak to your local Retailer or visit the Mercedes me connect store at shop.mercedes-benz.com/en-gb/connect

¹Free of charge for first three years. Extension possible, visit the Mercedes me connect store for details on pricing



Book a [▶ test drive](#)
[▶ AMG test drive](#)



[▶ View offers](#)



[▶ Find a Retailer](#)



[▶ View the Range Guide](#)

15

Become the AMG expert

Unleash a new level of performance.

All Mercedes-AMG customers are invited to a complimentary adrenaline-packed driving experience, under the guidance of our driving specialists at Mercedes-Benz World.



Discover AMG at Mercedes-Benz World

- Individually tailored to your ability
- No previous track experience necessary
- See how well an AMG performs when pushed to its limits
- Put your theoretical driving knowledge to the test on a real track
- Understand the cause and effect of understeer, oversteer drift, collision avoidance and track etiquette
- Get to grips with the Mercedes-Benz World's purpose-built track and dynamic driving facilities

TERMS AND CONDITIONS

The following customers only are eligible: the first purchaser/registered keeper of a newly registered Mercedes-AMG. The complimentary Training as described in the brochure must be booked and taken within six months of delivery of your Mercedes-AMG. The Training is available Monday to Friday and is subject to availability. Requests for Saturday and Sunday will incur an additional charge. Upgrades are available for an additional cost: details upon request. Transferable to individuals who reside at the same postal address only. Mercedes-Benz Cars UK Limited reserves the right to amend or withdraw this Training experience. Attendees must hold a full UK driving licence. Attendees will be required to sign the Mercedes-Benz World Driving Risk Acknowledgement prior to undertaking the Training experience. The Training experience is also subject to the Mercedes-Benz World Terms and Conditions, as applicable. Invitation is emailed to the customer post-delivery. Permission via the customer contact preferences must be given to enable Mercedes-Benz World to contact. Retailer demonstrator vehicles are not eligible.



Model prices

Model line	Engine	Transmission	CO ₂ ^{1,*}	Basic RRP excl. VAT (£)	Total RRP incl. VAT (£)	Road Fund Licence (£) ²	Rec. OTR price (£) ³	P11D value (£)	BiK tax rate 2019/20 (%)
Final Edition	SLC 200 Petrol - 1,991 cc, 4-cylinder, 184 hp/135 kW	6-speed manual	161	29,829.17	35,795.00	530.00	37,120.00	36,535.00	37
		9G-TRONIC 9-speed automatic	153	31,162.50	37,395.00	530.00	38,720.00	38,135.00	35
	SLC 300 Petrol - 1,991 cc, 4-cylinder, 245 hp/180 kW	9G-TRONIC 9-speed automatic	161	33,916.67	40,700.00	530.00	42,025.00	41,440.00	37
Final Edition Premium	SLC 200 Petrol - 1,991 cc, 4-cylinder, 184 hp/135 kW	6-speed manual	161	32,992.50	39,591.00	530.00	40,916.00	40,331.00	37
		9G-TRONIC 9-speed automatic	153	34,325.83	41,191.00	530.00	42,516.00	41,931.00	35
	SLC 300 Petrol - 1,991 cc, 4-cylinder, 245 hp/180 kW	9G-TRONIC 9-speed automatic	161	37,080.00	44,496.00	530.00	45,821.00	45,236.00	37
Mercedes-AMG Final Edition	Mercedes-AMG SLC43 Petrol - 2,996 cc, 6-cylinder, 390 hp/287 kW	9G-TRONIC 9-speed automatic	185	40,170.83	48,205.00	855.00	49,855.00	48,945.00	37
Mercedes-AMG Final Edition Premium	Mercedes-AMG SLC43 Petrol - 2,996 cc, 6-cylinder, 390 hp/287 kW	9G-TRONIC 9-speed automatic	185	43,334.17	52,001.00	855.00	53,651.00	52,741.00	37

¹The indicated values were determined according to the prescribed measurement method - Worldwide Harmonised Light Vehicle Test Procedure (WLTP). Figures shown may include options which are not available in the UK

*CO₂ figures have been converted into NEDC-equivalent values for use with the current VED and BiK tax legislation

Figures shown are for comparability purposes; only compare with other cars tested to the same technical procedures. Figures may not reflect real life driving results, which will depend upon a number of factors including factory-fitted options, accessories fitted (post registration), variations in weather, driving styles and vehicle load. Further information about the test used to establish fuel consumption and CO₂ figures can be found at <http://www.mercedes-benz.co.uk/WLTP>

²A different first year rate of Vehicle Excise Duty (Road Fund Licence) applies for new cars. Please refer to page 32 for the relevant rate for the second and subsequent years

³The recommended on-the-road price includes the Road Fund Licence applicable to the standard model plus delivery charge (£715.00 incl. VAT), new vehicle registration fee (£55.00) and number plates (£25.00 incl. VAT). VAT is calculated at the standard rate of 20%



Book a [test drive](#)
[AMG test drive](#)



[View offers](#)



[Find a Retailer](#)



[View the Range Guide](#)

Colours, trim and upholstery





Book a [test drive](#)
[AMG test drive](#)



[View offers](#)



[Find a Retailer](#)



[View the Range Guide](#)

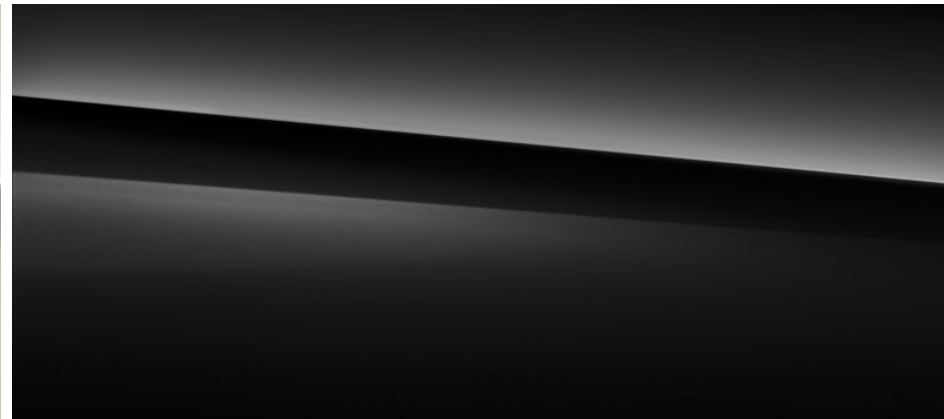
Non-metallic and metallic paints



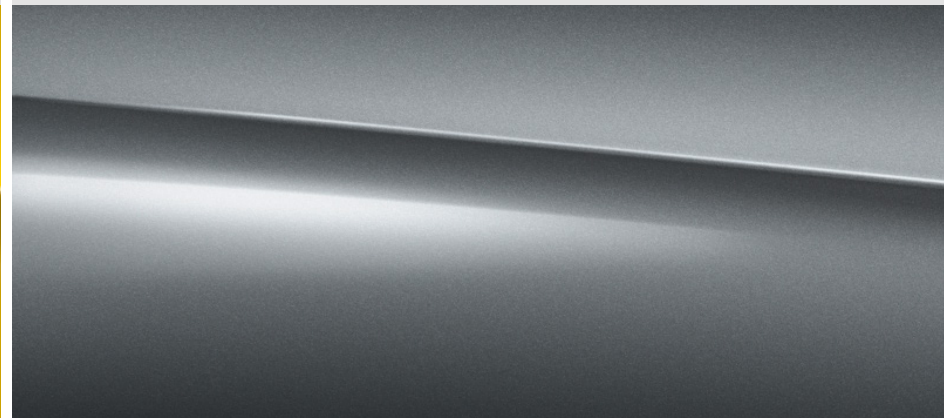
149 polar white non-metallic



914 sun yellow



040 black non-metallic



992 selenite grey metallic



Book a [test drive](#)
[AMG test drive](#)



[View offers](#)



[Find a Retailer](#)



[View the Range Guide](#)

Trim



H78 light carbon-grain aluminium

Final Edition

Final Edition Premium

Mercedes-AMG SLC 43 Final Edition

Mercedes-AMG SLC 43 Final Edition Premium

-
-
-
-



Book a [▶ test drive](#)
[▶ AMG test drive](#)



[▶ View offers](#)



[▶ Find a Retailer](#)



[▶ View the Range Guide](#)

Upholstery



718 nappa leather¹/DINAMICA black/silver pearl

Final Edition

Final Edition Premium

Mercedes-AMG SLC 43 Final Edition

Mercedes-AMG SLC 43 Final Edition Premium

-
-
-
-

● Standard ¹At least 80% of the seat upholstery is pure leather, while up to 20% may consist of man-made leather



Book a [test drive](#)
[AMG test drive](#)



[View offers](#)



[Find a Retailer](#)



[View the Range Guide](#)

Wheels



RQJ 18" AMG alloy wheels (4) – 5-spoke design painted titanium grey with a high-shine finish
 front: 245/40 tyres; rear: 245/35 tyres

Final Edition	●
Final Edition Premium	●
Mercedes-AMG SLC 43 Final Edition	-
Mercedes-AMG SLC 43 Final Edition Premium	-



RGK 18" AMG bi-colour alloy wheels (4) – 5-spoke design painted matt black with yellow rim flange
 front: 235/40 tyres; rear: 255/35 tyres

Final Edition	-
Final Edition Premium	-
Mercedes-AMG SLC 43 Final Edition	●
Mercedes-AMG SLC 43 Final Edition Premium	●



Standard equipment

Item	Final Edition	Final Edition Premium	SLC 43 Final Edition	SLC 43 Final Edition Premium
Engine, Transmission and Suspension				
6-speed manual with cruise control, SPEEDTRONIC variable speed limiter (SLC 200 only)	●	●	-	-
9G-TRONIC automatic transmission with cruise control, SPEEDTRONIC variable speed limiter and steering wheel gearshift paddles	-	-	●	●
DYNAMIC SELECT with a choice of driving modes: Comfort, Eco, Sport, Sport+ and Individual	●	●	●	●
ECO start/stop function	●	●	●	●
Suspension – sports suspension tuned for improved handling and driving dynamics, lowered by 10 mm	●	●	-	-
Suspension – AMG sports suspension designed for high lateral acceleration and reduced body roll	-	-	●	●
Exterior				
Mirror package – electrically folding mirrors, automatically dimming exterior driver’s mirror and rear-view mirror	-	●	-	●
AMG bodystyling – front and rear aprons, side skirts	●	●	-	-
AMG bodystyling with exclusive SLC 43 front and rear aprons and side skirts	-	-	●	●
AMG-specific diamond radiator grille in chrome with high-gloss black louvre	-	-	●	●
AMG spoiler lip on boot lid	-	-	●	●
AMG sports exhaust system with two chrome-plated tailpipes integrated into the bumper with centrepiece (four-pipe look)	-	-	●	●

Item	Final Edition	Final Edition Premium	SLC 43 Final Edition	SLC 43 Final Edition Premium
'BITURBO' lettering on front wings	-	-	●	●
Electro-hydraulic vario-roof	●	●	●	●
Fuel tank – 60-litre	●	●	●	●
Headlamps – halogen with integrated LED daytime running lamps	●	-	●	-
Headlamps – LED Intelligent Light System with Adaptive Highbeam Assist Plus LED headlamps, highbeam and direction indicator LED position light, cornering light and daytime running lamps Dynamic headlamp range adjustment for ideal visibility in all weather, lighting and driving conditions Variable light distribution for driving on country roads and motorways as well as in heavy fog Active light function allows headlamps to pivot into bends by up to 15° to illuminate road surface more effectively, improving visibility Cornering light function: two LEDs per headlamp improve road illumination in tight bends by automatically switching on cornering light on the relevant side Enhanced fog lamp function illuminates outer half of the carriageway more effectively while reducing glare due to light reflected by fog. Can be activated at speeds below 44 mph and remains switched on up to 62 mph Welcome home function lights up LED fibre optics in the headlamps in blue after unlocking the vehicle, transitioning to white locator lighting	-	●	-	●
Heated windscreen washer system	-	-	●	●
Panoramic glass sunroof, tinted – a large, tinted glass section in the roof provides a clear view overhead	-	●	-	●



Item	Final Edition	Final Edition Premium	SLC 43 Final Edition	SLC 43 Final Edition Premium
Exterior (continued)				
Petrol Particulate Filter	●	●	●	●
Remote boot release	●	●	●	●
Tail lamps – LED	●	●	●	●
Interior				
Interior Lighting package – ambient lighting in exterior mirrors, courtesy exit lights in the A-pillars, illuminated front footwell, illumination of centre console stowage compartment, sun visors with illuminated vanity mirror	–	–	●	●
Memory package – driver’s seat, passenger seat, steering column and exterior mirrors – electrically adjustable with memory. Includes exterior mirror with parking position and four-way lumbar support for driver and front passenger	●	●	●	●
Air conditioning	●	●	●	●
AIRGUIDE – pivoting, transparent wind deflectors	–	●	–	●
AIRSCARF – neck-level heating Through air outlets in the head restraints, pleasantly warm air is ‘wrapped’ around the necks of the driver and passenger like an invisible scarf. The desired temperature can be set in three stages	●	●	●	●
Ambient lighting	–	–	●	●
Cup holders in centre console; includes bottle holder in passenger footwell	●	●	●	●
Door sill panels – with ‘Mercedes-Benz’ lettering	●	●	–	–
Door sill panels – brushed stainless steel with ‘AMG’ lettering	–	–	●	●

Item	Final Edition	Final Edition Premium	SLC 43 Final Edition	SLC 43 Final Edition Premium
Edition 1 floor mats	●	●	●	●
Electric windows (2)	●	●	●	●
Instrument cluster – AMG instrument cluster with two tube-shaped round dials, 4.5-inch multifunction colour display with chequered-flag design	–	–	●	●
Instrument cluster – chequered-flag design with 4.5-inch TFT multifunction colour display	●	●	–	–
Instrument cluster – outside temperature display	●	●	●	●
Seats – front, heated	●	●	●	●
Seats – sports seats provide the driver and passenger with plenty of support and at the same time offer maximum seating comfort, particularly on long journeys	●	●	●	●
Sports pedals in brushed stainless steel with rubber studs	●	●	●	●
Stowage – glove compartment, independently lockable	●	●	●	●
Steering				
AMG Performance steering wheel in nappa leather	–	–	●	●
Multifunction sports steering wheel in nappa leather black, in 3-spoke design, with flattened bottom section, heavily embossed in the grip area, with Touch Control buttons	●	●	–	–
Steering column – manually adjustable for height and reach	●	●	●	●



Item	Final Edition	Final Edition Premium	SLC 43 Final Edition	SLC 43 Final Edition Premium
Paint, Trim and Upholstery				
Paint – a choice of metallic or non-metallic	●	●	●	●
Trim – light carbon-grain aluminium	●	●	●	●
Upholstery – nappa leather/DINAMICA microfibre black/silver pearl upholstery	●	●	●	●
Safety and Assistance Systems				
Acceleration Skid Control (ASR)	●	●	●	●
Active bonnet – pedestrian safety measure	●	●	●	●
ACTIVE BRAKE ASSIST – gives the driver a visual and audible warning if the set safety distance from a vehicle ahead or a stationary obstacle narrows; an autonomous braking function can give the driver a haptic warning by initiating braking	●	●	●	●
Airbags – dual-stage, driver and passenger	●	●	●	●
Airbags – head and sidebags for driver and passenger	●	●	●	●
Alarm system with immobiliser and interior protection (MBSS3)	●	●	●	●
ATTENTION ASSIST – continuously analyses driver behaviour and steering movements. If patterns are recognised which characterise drowsiness, the driver is prompted to take a break and an audible warning is sounded. If the vehicle has COMAND Online, the system offers to search for a rest stop	●	●	●	●
Braking – adaptive brake lights	●	●	●	●
Braking – Adaptive Brake System with HOLD function	●	●	●	●
Braking – AMG high-performance braking system with internally ventilated, perforated brake discs	–	–	●	●

Item	Final Edition	Final Edition Premium	SLC 43 Final Edition	SLC 43 Final Edition Premium
Braking – anti-lock braking system (ABS) with Brake Assist (BAS)	●	●	●	●
Braking – brake-pad wear warning indicator	●	●	●	●
Braking – perforated front brake discs and brake calipers with 'Mercedes-Benz' lettering	●	●	–	–
Crash-responsive head restraints – in a rear-end collision, the crash-responsive head restraints can be pushed forward by around 40 mm and upwards by around 30 mm. This enables the head to be supported at an earlier stage and the risk of whiplash injury to be reduced	●	●	●	●
Electric parking brake	●	●	●	●
Electronic Stability Programme (ESP®)	●	●	–	–
Electronic Stability Programme (ESP®) – 3-stage	–	–	●	●
ESP® Curve Dynamic Assist – when accelerating in bends, this system ensures more stability and handling safety. Available as part of the Dynamic Handling package (code 483)	–	–	●	●
First-aid kit and warning triangle	●	●	●	●
Headlamp Assist – automatic headlamp activation	●	●	●	●
Parking – PARKTRONIC with Parking Guidance – this system makes searching for a parking space as well as parallel parking easier. The driver is supported by means of steering instructions in the instrument cluster. PARKTRONIC monitors the front and rear end while the driver is manoeuvring the vehicle and gives a warning if the risk of a collision is detected	●	●	●	●



Item	Final Edition	Final Edition Premium	SLC 43 Final Edition	SLC 43 Final Edition Premium
Security and Safety (continued)				
Parking – reversing camera	–	●	–	●
Rain-sensing windscreen wipers	●	●	●	●
Remote central locking	●	●	●	●
Roll-over bars with aluminium inserts	●	●	●	●
Roll-over protection	●	●	●	●
Seats – automatic child seat recognition sensor	●	●	●	●
Seats – seat belt pre-tensioners	●	●	●	●
Service indicator ASSYST	●	●	●	●
Tyres – TIREFIT tyre-sealant kit	●	●	●	●
Tyres – tyre pressure monitoring system	●	●	●	●
Communications and In-Car Entertainment				
Audio 20 radio, CD player (MP3 compatible), four speakers and telephone keypad	●	●	●	●
Bluetooth® interface with HD voice-capable hands-free function and audio streaming for playing music files	●	●	●	●
Central controller dial to operate audio functions and telephone (when connected)	●	●	●	●
DAB digital radio tuner	●	●	●	●

Item	Final Edition	Final Edition Premium	SLC 43 Final Edition	SLC 43 Final Edition Premium
Garmin® MAP PILOT navigation system with Live Traffic Information – operation via controller, touchpad or voice control. SD card navigation with instructions shown on 7-inch high-resolution colour display in the instrument cluster. Includes 3D views with visualisation of roads and buildings as well as junction and lane assistants, making it easy for drivers to orientate themselves. Spoken instructions are emitted through vehicle's built-in speakers. Software and map can be updated online	●	●	●	●
Harman Kardon® Logic7® surround sound system – 10 high-performance speakers and a 10-channel amplifier with total output of 500 W (10×50 W)	–	–	●	●
High-resolution 7-inch colour media display	●	●	●	●
Media Interface port for iPod® or iPhone®	●	●	●	●
Mercedes me – Remote Online services – on-board use of the remote and location services, e.g. geographic vehicle monitoring, vehicle location, remote door locking and unlocking, remote interrogation of vehicle status. Remote Online subscription services are limited to three years from initial registration, and can be extended at additional cost	●	●	●	●
Smartphone integration – comprising Apple CarPlay™ and Android Auto. Compatible iPhones can be integrated into the vehicle through voice control and controller on centre console. Please check on www.apple.com/uk/ios/carplay/ or https://www.android.com/intl/en_uk/auto/ for compatibility and approved apps. Certain features and apps require a 3G or 4G data connection	●	●	●	●
Two USB ports in centre console	●	●	●	●



Book a [test drive](#)
[AMG test drive](#)



[View offers](#)



[Find a Retailer](#)



[View the Range Guide](#)

Genuine Accessories

We've developed a range of Accessories you can add to help personalise and enhance your SLC. Your local Mercedes-Benz Retailer can advise on fitting costs of Accessories, where applicable. Further information on our full range of Genuine Accessories can be found [here](#) on the Mercedes-Benz UK website.

01 | Shallow boot tub (A1728140041)

The tub shape with its slightly raised edge is precision-tailored to the load area. Made from impact-resistant, non-slip polyethylene. The structured surface prevents the load from sliding around.

RRP £88.50 (incl. VAT)

02 | Concertina load sill protector (A2536931900)

The concertina load sill protector not only protects the boot from contamination, but also protects the bumper and boot sill from becoming scratched. As the mat can be folded out, even your clothes stay clean when loading the boot. The load sill guard can be attached via hooks to the lifting eyes or can be attached via a Velcro strip to the reversible mat or roof box.

RRP £40.50 (incl. VAT)

01



02





Book a [test drive](#)
[AMG test drive](#)



[View offers](#)



[Find a Retailer](#)



[View the Range Guide](#)

03 | Velour floor mats, CLASSIC, two-piece set (A17268001489F87)

Wherever your journey takes you – these velour floor mats reliably protect your car’s interior from dirt, damp and wear. The mats are manufactured from high-quality pure polyamide velour and meet the highest of standards: dirt-repellent, antistatic, flame-resistant and, thanks to the non-slip backing, both safe and adaptable.

RRP £76.46 (incl. VAT)

04 | Illuminated door sill panels (A1726802335)

A distinctive, eye catching accessory, whether in daylight or at night – thanks to brightly illuminated Mercedes-Benz lettering, set in an elegant ground stainless steel panel. Set of two.

RRP £388.80 (incl. VAT), excluding fitting





Technical data

		Petrol engines		
Model		SLC 200	SLC 300	Mercedes-AMG SLC 43
Engine				
Total displacement	cc	1,991	1,991	2,996
Arrangement/cylinders/valves		in-line/4/16	in-line/4/16	V/6/24
Fuel delivery		Electronically controlled direct injection with turbocharger	Electronically controlled direct injection with turbocharger	Electronically controlled direct injection with turbocharger
Power ¹	hp (kW) at rpm	184 (135)/5,500	245 (180)/5,500	390 (287)/6,100
Torque ¹	Nm at rpm	300/1,200-4,000	370/1,300-4,000	520/2,500-5,000
Compression ratio		9.8:1	9.8:1	10.5:1
Transmission				
6-speed manual		●	-	-
9G-TRONIC 9-speed automatic		○	●	●
Tyre sizes				
Front		245/40 R 18	245/40 R 18	235/40 R18
Rear		245/35 R 18	245/35 R 18	255/35 R 18



		Petrol engines			
Model		SLC 200	SLC 300	Mercedes-AMG SLC 43	
Performance		man.	auto.	auto.	auto.
Acceleration 0–62 mph	sec	7.0	6.9	5.8	4.7
Top speed	mph	149	147	155	155
Weights and capacities		man.	auto.	auto.	auto.
Kerb weight ²	kg	1,465	1,480	1,505	1,595
Perm. Gross Vehicle Weight	kg	1,780	1,795	1,820	1,890
Boot capacity with roof closed		335	335	335	335
open	l	225	225	225	225
Fuel tank capacity/of which reserve	l	70/9	70/9	70/9	60/7
Turning circle	m	10.52	10.52	10.52	10.52

²Mass of the vehicle in running order with at least 90% full fuel tank, plus the mass of the driver (estimated by law at 75 kg), fuel and fluids, equipped with the standard equipment as specified by the manufacturer as well as, where applicable, the mass of the body, cab, trailer coupling and spare wheel(s) as well as tools. Optional extras, additional equipment and accessories can influence the weight, residual payload, rolling resistance, aerodynamics, etc., and therefore also affect the consumption/CO₂ values



Model		Petrol engines			
		SLC 200	SLC 300	Mercedes-AMG SLC 43	
Fuel consumption^{3,4,5}		man.	auto.	auto.	auto.
Combined (consumption dependent on chosen optional equipment)	l/100 km mpg	7.0–7.6 40.4–37.2	7.6–8.0 37.2–35.3	7.6–8.0 37.2–35.3	8.7–8.9 32.5–31.7
CO₂ emissions^{4,5,*}		man.	auto.	auto.	auto.
Emissions standard	g / km	EU6		EU6	EU6
18" alloy wheels		161	153	161	185
Insurance					
Group rating		42	tba	44	46

Insurance ratings may vary depending on model line and specification. Please refer to <http://www.thatcham.org/abigrouprating/> for further details

³All figures are based on a standard specification with the smallest tyre size ⁴The choice of wheels and transmission may affect CO₂ emissions and corresponding Road Fund Licence

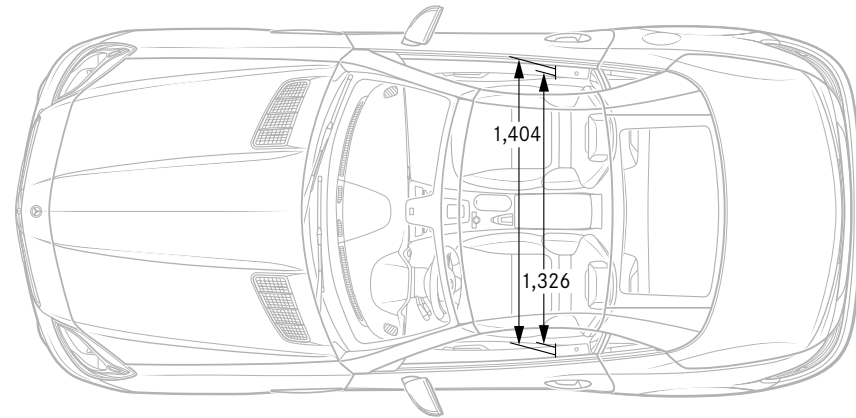
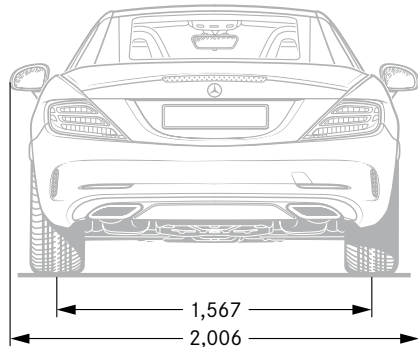
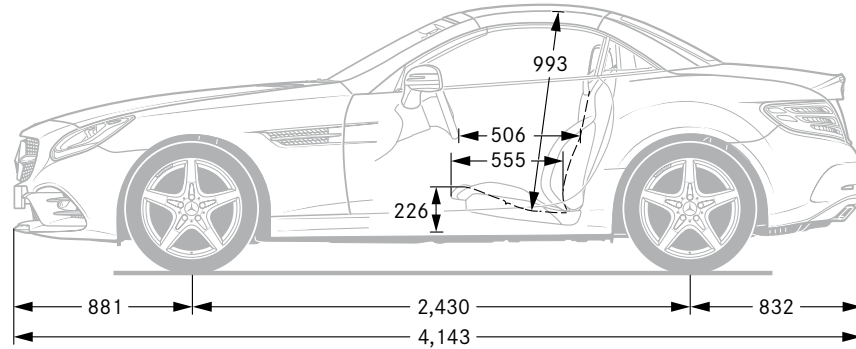
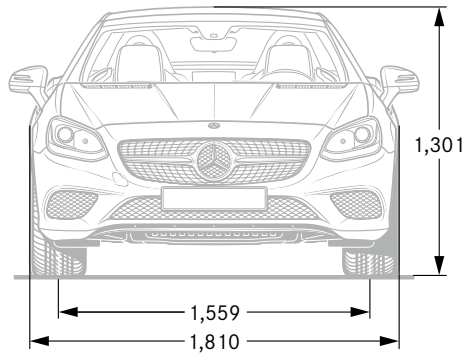
⁵The indicated values were determined according to the prescribed measurement method – Worldwide Harmonised Light Vehicle Test Procedure (WLTP). Figures shown may include options which are not available in the UK

*CO₂ figures have been converted into NEDC-equivalent values for use with the current VED and BIK tax legislation

Figures shown are for comparability purposes; only compare with other cars tested to the same technical procedures. Figures may not reflect real life driving results, which will depend upon a number of factors including factory-fitted options, accessories fitted (post registration), variations in weather, driving styles and vehicle load. Further information about the test used to establish fuel consumption and CO₂ figures can be found at <http://www.mercedes-benz.co.uk/WLTP>



Final Edition





Road Fund Licence



All road vehicle registrations are subject to Vehicle Excise Duty (Road Fund Licence), which varies in accordance with the vehicle's CO₂ emissions. A first year rate for each taxation band will apply. The table below shows the bands (A–M) created by the DVLA and the corresponding Road Fund Licence. CO₂ emissions are listed in the technical data on page 30, and the relevant Excise Duty is reflected in the on-the-road prices on page 16.

Band	CO ₂ emissions (g/km) ¹	First year rate petrol and RDE2 diesel (£)	First year rate all other diesel (£) ¹	First year rate alternative fuel (£)	Standard rate (£)	Premium rate (£) ²
A	0	0.00	0.00	0.00	0.00	320.00
B	1 to 50	10.00	25.00	0.00	145.00	465.00
C	51 to 75	25.00	110.00	15.00	145.00	465.00
D	76 to 90	110.00	130.00	100.00	145.00	465.00
E	91 to 100	130.00	150.00	120.00	145.00	465.00
F	101 to 110	150.00	170.00	140.00	145.00	465.00
G	111 to 130	170.00	210.00	160.00	145.00	465.00
H	131 to 150	210.00	530.00	200.00	145.00	465.00
I	151 to 170	530.00	855.00	520.00	145.00	465.00
J	171 to 190	855.00	1,280.00	845.00	145.00	465.00
K	191 to 225	1,280.00	1,815.00	1,270.00	145.00	465.00
L	226 to 255	1,815.00	2,135.00	1,805.00	145.00	465.00
M	over 255	2,135.00	2,135.00	2,125.00	145.00	465.00

¹Applies to all Mercedes-Benz diesel models which do not comply with Real Driving Emissions step 2 (RDE2)

²Premium rate only applicable to vehicles where the list price is over £40,000 including any factory-fitted options, standard UK delivery charge, number plates, fuel and VAT



Services and insurance

Mercedes-Benz ServiceCare

We believe that servicing costs should be as flexible and affordable as possible for your SLC, which is why we offer ServiceCare, an easy way to budget for all your servicing costs. It spreads your bills into manageable payments based on whether you have a new or used Mercedes-Benz.

With ServiceCare we guarantee the price of parts and labour for up to four services and safeguard against any further inflation. It also covers the cost of all recommended service items including brake fluid, spark plugs, air filters, fuel filters and screen wash.

You can choose either to add your servicing costs into your monthly spend or pay the full amount in a one-off payment, giving you peace of mind that they are taken care of for the period of the plan.

To receive a personalised ServiceCare plan recommendation visit the ServiceCare Calculator at servicecarerates.mercedes-benz.co.uk

Warranty and breakdown cover

Every Mercedes-Benz comes with a three-year unlimited mileage warranty against manufacturing or material defects¹ and up to 30 years warranty against perforation due to corrosion from the inside out.² What's more, it's also covered by Mercedes-Benz Roadside Assistance – a unique package comprising up to 30 years pan-European breakdown assistance.²

Motor Insurance

Superb cover comes as standard. When reviewed by an independent research company, Defaqto, Mercedes-Benz Motor Insurance received a five-star rating, the highest rating available. We design our Motor Insurance specifically for Mercedes-Benz drivers.

For more information or to obtain a quote, click [here](#).



Mercedes-Benz Finance

Why should you finance with Mercedes-Benz?

At Mercedes-Benz we believe a great driving experience should be matched by an equally great ownership experience. That is why we put just as much thought, time and effort into designing our finance options, our service plans and our insurance cover as we do into our vehicles.

We are not in the business of simply providing a loan to fund the purchase of your dream vehicle. We look on it as a journey that we take with you, from the moment you choose your new Mercedes-Benz, to helping you in choosing your next one.

If you would like to find out more about any of our current offers, simply call into your local Mercedes-Benz Retailer where one of our Business Managers will be more than happy to talk you through anything you need to know.

Helping you find the right solution.

You should find our finance packages are more convenient than a traditional personal loan because:

- Funds are immediately available – no waiting for cheques or loans to clear.
- There is no security required – either against your home or other assets.
- We have clear and transparent rates – the APR we quote is the APR you get.
- We have friendly Business Managers – experts in vehicle finance who can talk you through all of your plans in detail.

One of our most popular finance products is Mercedes-Benz Agility (our Personal Contract Purchase product). We also offer Contract Hire, Operating Lease and Hire Purchase solutions. If you would like to find out more about these speak to your Retailer or visit www.mercedes-benz.co.uk/fandi.

Mercedes-Benz Agility (our PCP product).

At the start of an Agility agreement, you put down a deposit and decide the term of your agreement and your annual mileage. You will be advised of the Guaranteed Future Value, which offers you the reassurance of knowing exactly what you will need to pay to own the vehicle outright in the future (this is known as the Optional Purchase Payment).

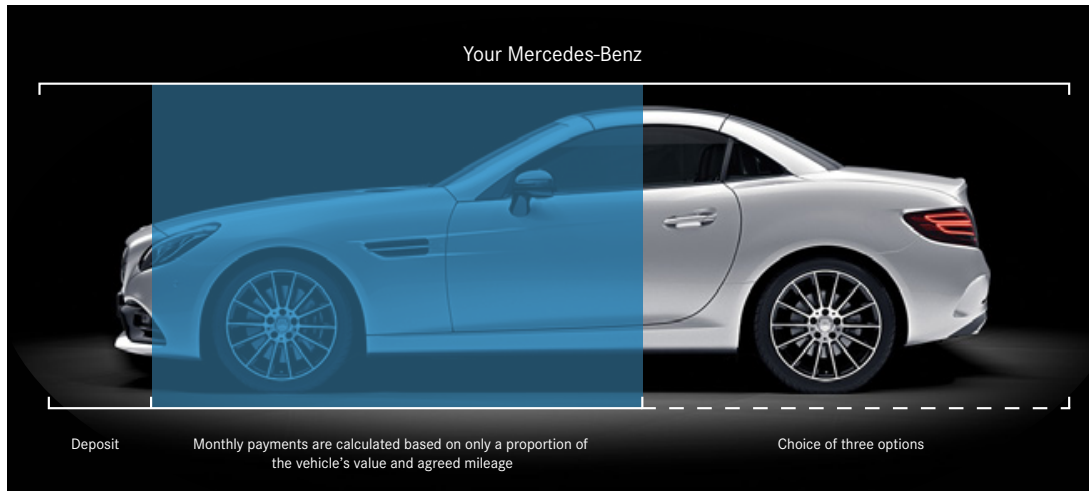
Throughout your agreement you simply pay your agreed monthly payments and when the agreement comes to an end you either purchase, hand back or part-exchange your vehicle.





Agility features:

- Fixed regular payments mean you can easily budget.
- Payments are based only on a proportion of the vehicle's value, keeping your monthly payments lower.
- Our Guaranteed Future Value avoids the risk of unplanned depreciation of your vehicle.
- You defer your ownership decision until the end of the agreement.



At the end of your agreement you have three options to choose from.

Option 1: Purchase your Mercedes-Benz.

Purchase your Mercedes-Benz by paying the Optional Purchase Payment and Purchase Activation Fee.¹ This will complete the purchase of your Mercedes-Benz, leaving you free to simply enjoy your vehicle.

Option 2: Hand back your Mercedes-Benz.

If you decide to return your vehicle to us, it must be in line with our Vehicle Return Standards,^{*} as vehicle condition, excess mileage and other charges may be payable.

Option 3: Part-Exchange for a new vehicle.

Purchase your Mercedes-Benz by paying the Optional Purchase Payment and Purchase Activation Fee.¹ This will complete the purchase of your Mercedes-Benz, leaving you free to part-exchange for a new vehicle.

¹Please note the 'Purchase Activation Fee' of £10 will be debited from your account ^{*}To find out more information about our Vehicle Return Standards please visit <http://mercedes-benz.co.uk/vrs>



Book a [▶ test drive](#)
[▶ AMG test drive](#)



[▶ View offers](#)



[▶ Find a Retailer](#)



[▶ View the Range Guide](#)

Follow us on the following social media channels:



facebook.com/mercedesbenzuk



twitter.com/mercedesbenzuk



youtube.com/mercedesbenzuk



instagram.com/mercedesbenzuk

Effective from December 2019 Production. Information correct at time of publication.

Prices and specifications are subject to change without prior notice.

MBR172PL/1119 MY2019.5

Mercedes-Benz Cars UK Limited, Tongwell, Milton Keynes, MK15 8BA. Company number 2448457. www.mercedes-benz.co.uk