

FULLBACK

THE PROFESSIONAL PICK-UP





BUILT FOR WORK. BUILT FOR LIFE.

Be demanding, be rewarded. **FULLBACK IS THE FIAT PROFESSIONAL PICK-UP.** Agile, versatile and powerful, Fullback does not know the meaning of words such as "rest" or "too much." That is because it was designed to take on the toughest of tasks, with **OVER 4 TONNES OF TOTAL LOADING CAPACITY, UP TO 3.1 TONNES OF TOWING CAPACITY AND 1 TONNE OF LOAD.** Furthermore, with its distinctive style and **SMALL TURNING CIRCLE (5.9M)**, Fullback is perfect in town as well.





FULL

STYLE

WORK
WITH STYLE.



FULLBACK attracts attention owing to its muscular, aggressive and at the same time soft and elegant lines. Its style reveals all the care and passion of Fiat Professional, resulting in a design conceived to be serviceable to your work.

FULLBACK IS AVAILABLE IN DOUBLE CAB VERSION (5 SEATS), and two trim levels: SX and LX. That is because professionalism is also seen in the possibility of choice that you are given.



BI-XENON HEADLIGHTS



17" ALLOY RIMS



REAR VIEW CAMERA



FULL

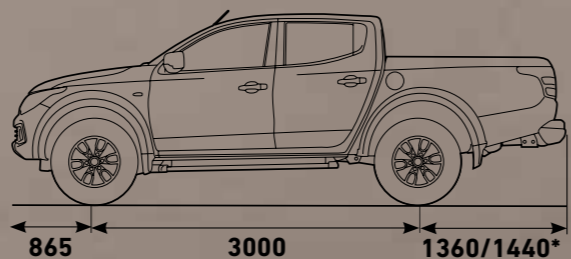
CAPACITY

IT SHOULDERS
EVEN THE BIGGEST
ENTERPRISES.

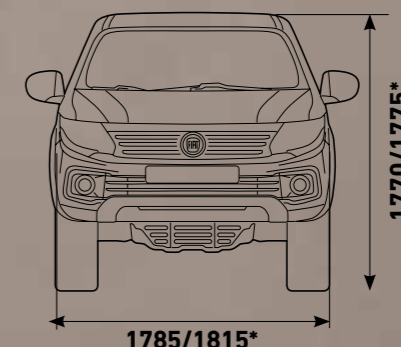
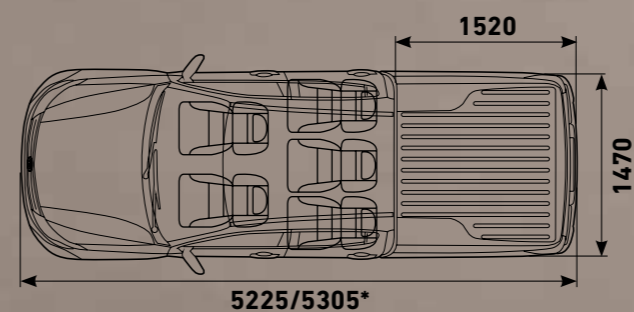


Rugged, reliable and practical down to the finest detail, the Fullback is precisely what you expect from a work vehicle. **FULLBACK** offers you up to one tonne of loading capacity and a **1.52 M LONG CARGO BED**. Its overall dimensions (**5.2 M LONG, 1.8 M WIDE**), also make Fullback the ideal pick-up for your everyday lifestyle. Even after work.

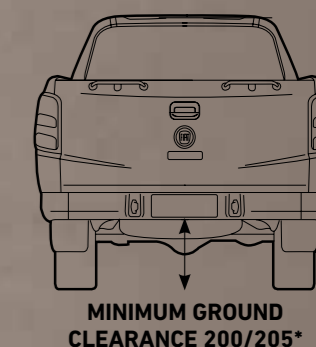
DOUBLE CAB



5 seats / 2.223 m² of payload



FRONT TRACK 1520



MINIMUM GROUND
CLEARANCE 200/205*

REAR TRACK 1515

* LX TRIM



FULL

COMFORT

DISCOVER THE PLEASURE OF WORKING HARD.

At Fiat Professional, we know how much time you spend in your work vehicle. That is why we have made **FULLBACK** very comfortable and welcoming, to make sure you never get tired of using it, even after a long, exhausting day at work. Nothing is left to chance: **ERGONOMIC SEATS, SPACIOUS INTERIORS THAT ARE PERFECTLY AIR-CONDITIONED AND SOUNDPROOFED** and a driving position with optimal visibility. Everything is built in a way to maximise comfort.



LEATHER INTERIORS, STANDARD ON LX TRIM



STEERING WHEEL CONTROLS.



TOUCHSCREEN MULTIFUNCTIONAL RADIO WITH NAVIGATOR.



AUTOMATIC TRANSMISSION.



FULL TECHNOLOGY

INNOVATION. ANOTHER STRONG POINT.

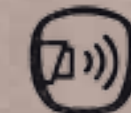
In recent years, technology has revolutionised the world of work.

FULLBACK has not been left behind. Featuring state of the art equipment so you can always stay connected to your work, your customers and your appointments, at any time of day or night, wherever you go, and on any terrain. If work never stops, why should you?



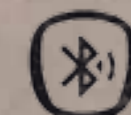
TOUCHSCREEN RADIO WITH NAVIGATOR

User-friendly, beautiful to look at, practical to use. It is the navigation and radio control system with a large touchscreen available on Fullback.



REARVIEW CAMERA

The ideal tool for parking with ultimate ease and safety, even in the tightest of places.



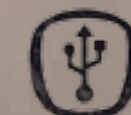
BLUETOOTH

Allowing you to answer incoming calls after seeing them on the touchscreen without ever taking your hands off the wheel or your eyes off the road.



CLIMATE CONTROL SYSTEM

Automatically adjusting to the optimal temperature, so you don't feel the heat of summer, or harshness of winter.



USB CONNECTIVITY

Enjoy listening to music stored on your personal device, and skip through tracks via either the touchscreen or steering wheel controls.



KEY-LESS

By just keeping the key in your pocket and simply pressing a button, you can lock and unlock the doors from the outside and start the engine from the inside.



FULL

POWER

YOU CAN ALWAYS
COUNT ON IT.



MANUAL TRANSMISSION



AUTOMATIC TRANSMISSION

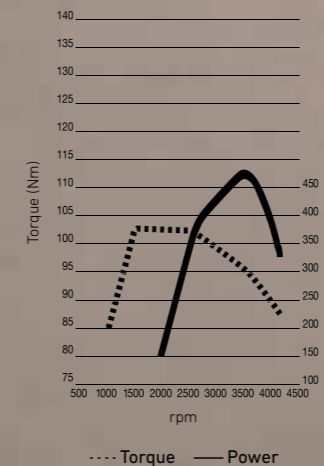
When the road gets tough, **FULLBACK** delivers its very best and starts to make the difference. Its strength lies in its rugged and flexible chassis and in its engines, which are more reliable, efficient and powerful than ever. Fullback is powered with **AN ALL-ALUMINIUM ENGINE**.

It is a **2.4 LITRE DIESEL** engine and is available in the **150 HP** or **180 HP** versions, with a **TOWING CAPACITY of up to 3.1 TONNES**. Fullback is also fitted with both the **6-SPEED MANUAL TRANSMISSION** and the **5-SPEED AUTOMATIC TRANSMISSION**.

The ideal is what you want. Fullback also ensures you will get extremely low fuel consumption and CO₂ emissions. In fact, both versions deliver all the power, torque and efficiency demanded of a pick-up.

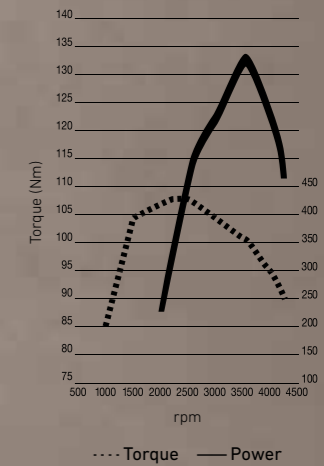
DIESEL 2.4 150 HP

Displacement: 2.442 cm³
Emissions standard: Euro 6
Power: 150 HP @ 3.500 rpm
Torque: 380 Nm @ 1.500/2.500 rpm
Injection: Common Rail direct
Traction: 2WD or 4WD
Consumption* (mpg): 40.9
CO₂ emissions* (g/km): 180



DIESEL 2.4 180 HP 4WD

Displacement: 2.442 cm³
Emissions standard: Euro 6
Power: 180 HP @ 3.500 rpm
Torque: 430 Nm @ 2.500 rpm
Injection: Common Rail direct
Traction: 4WD
Consumption* (mpg combined): 39.8*/37.7**
CO₂ emissions* (g/km): 186*/196**

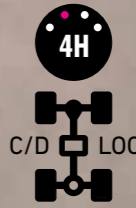


*MANUAL TRANSMISSION 4WD
**AUTOMATIC TRANSMISSION 4WD



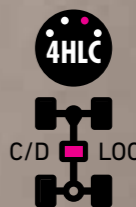
2WD HIGH RANGE

Achieve quieter running and better fuel consumption during normal on-road driving.



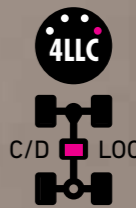
4WD HIGH RANGE

Selectable at speeds up to 62 Mph, distributes torque between front and rear axles via a centre differential (CD) with viscous coupling unit (VCU) - the latter permits safer on-road driving in slippery conditions.



4WD HIGH RANGE WITH CD LOCKED

Centre differential locked power is evenly distributed between front and rear wheels, improves traction and manoeuvrability on snow, sand or dirt roads.

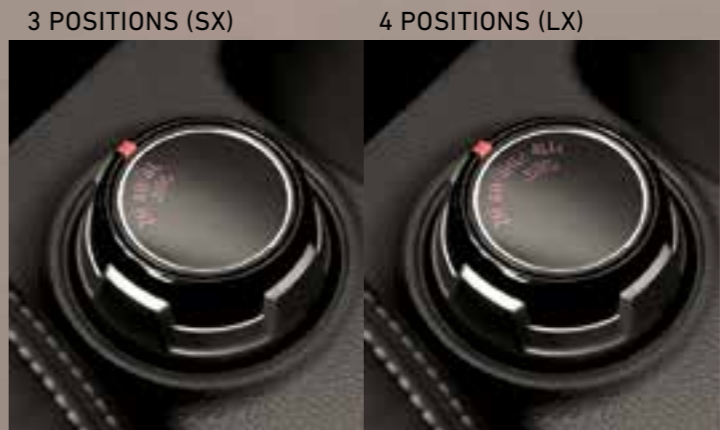
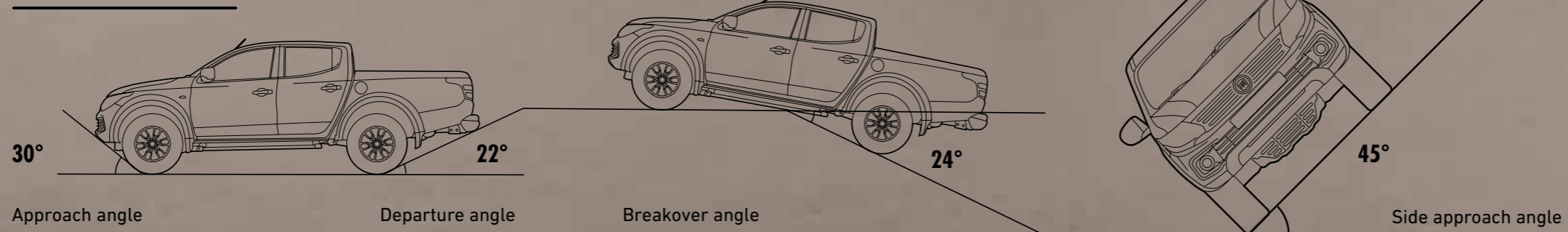


4WD LOW RANGE WITH CD LOCKED

Lowered gear ratio provides greater torque for extreme off-road conditions: Climbing and descending steep inclines and powering through deep snow, mud and sand.

FULLBACK was built to become the pivot of your work on any terrain. That is also the merit of its **4X4 TRACTION**, now even more efficient and easy to control owing to the exclusive **4WD ELECTRONIC SELECTOR** that allows you to distribute the maximum torque to each wheel. Fullback's exceptional off-road capability ensures no rugged terrain can stop you from enjoying your favourite leisure activities, or achieving more from work. Try it out. It asks for nothing else.

OFF ROAD PERFORMANCE



4WD ELECTRONIC SELECTOR



FULL SAFETY

SAFETY IS A GUARANTEE.

FULLBACK is equipped with a wide range of safety devices designed to guarantee maximum protection and safety of the driver and passengers.

REINFORCED SUSPENSIONS AND BODYSHELL, BI-XENON HEADLAMPS AND LED DAYTIME RUNNING LIGHTS for maximum visibility. What's more, Fullback offers you the **HILL HOLDER** system for starting off easily even on an uphill road. That is because among all your work tools, safety cannot be lacking. Never.

AIRBAGS

In case of an accident, the 7 airbags with which Fullback is fitted contribute to absorbing the impact when opening. In addition to the front airbags, there are also the side and curtain airbags plus one at the driver's knees.

PRE-TENSIONERS

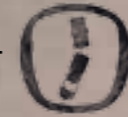
In the case of front impact, the pre-tensioners automatically tighten the seat belts around the driver and passengers to minimise any impact with the opening of the front airbags.

REINFORCED BODYSHELL

The bodyshell was built with many components in special lightweight steel and with high tensile strength while keeping the level of safety unaltered.

SUSPENSION

The front suspension with double A-arm and stabilizer bar ensure excellent stability both on and off the road. The rigid rear axle with elongated multi-layer leaf springs withstand the maximum stresses of the road surface and ensure stability and comfort, whether empty or with a full load.



SPEED LIMITER

The adjustable speed limiter helps you not to exceed the speed you have pre-set. If this happens, a visual signal associated with an auditory signal warns you and prompts you to reduce your speed.

TSA

The Trailer Stability Assist system guarantees perfect stability even when towing. If the vehicle skids, the TSA automatically modulates the engine's power and the braking force on each wheel to give stability back to the vehicle and its trailer.

LDW

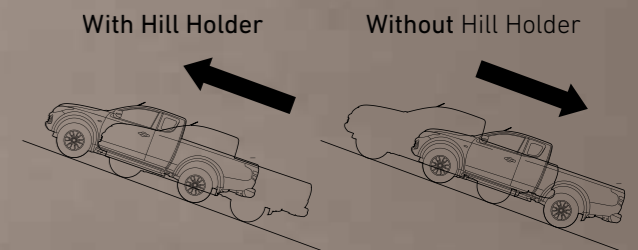
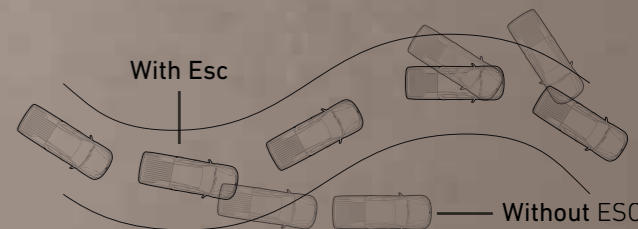
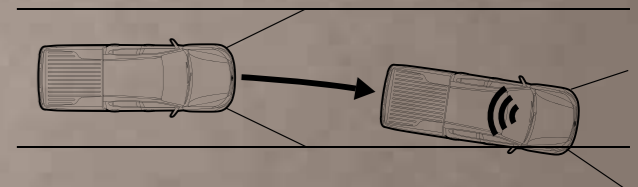
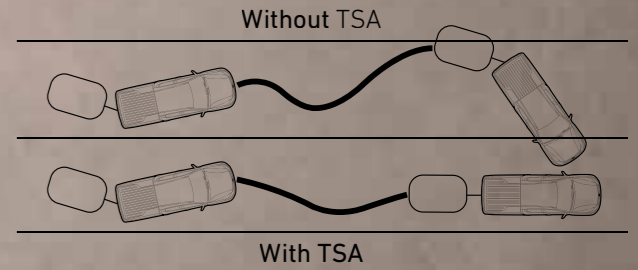
When travelling at speeds of over 40 Mp/h the Lane Departure Warning system automatically warns you when the vehicle is dangerously veering from the lane with both visual and acoustic signals.

ESC

The ESC offers you exceptional grip and stability by independently managing the braking force on the wheels when taking a curve. It prevents the wheels from skidding, minimises the risk of the vehicle skidding and guarantees perfect traction in all conditions.

HILL HOLDER

Ideal for starting off uphill with ultimate ease, even with a full load. The Hill Holder automatically blocks the vehicle for several seconds without you having to press the brake pedal.

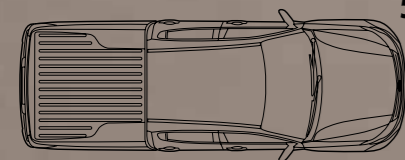




FULL
VERSATILITY

**MAKES WAY FOR
ALL YOUR NEEDS.**

There is another field in which Fullback is unbeatable: versatility. Fullback has been expressly designed to offer you the most solutions. By adapting its cargo bed and cabin to your requirements, Fullback can play any role you and your work may need. Turn the page to see what it is capable of.

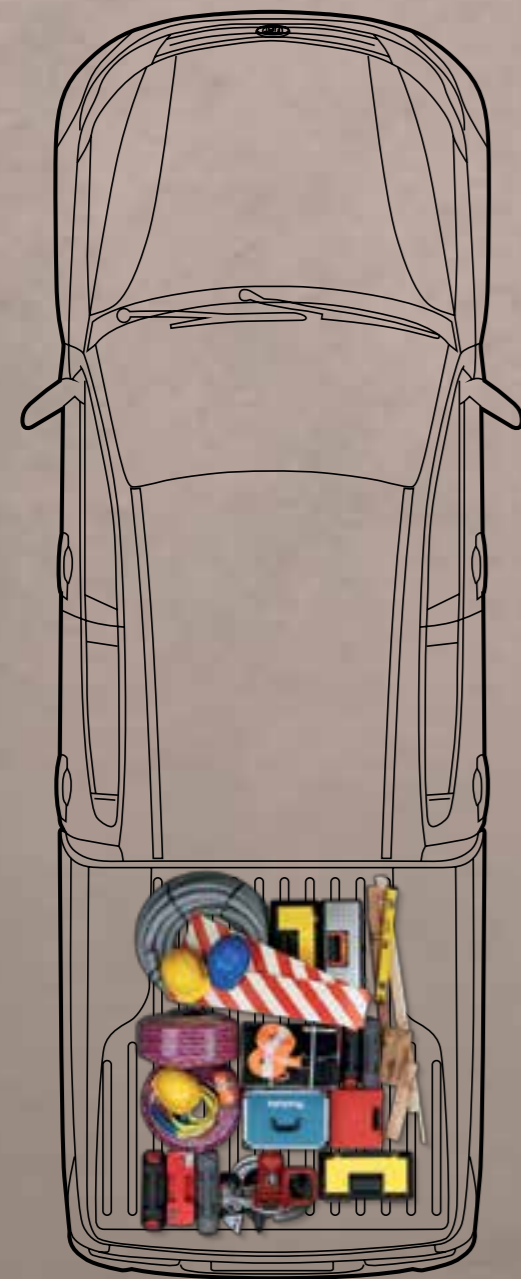


5.9 M

Turning radius

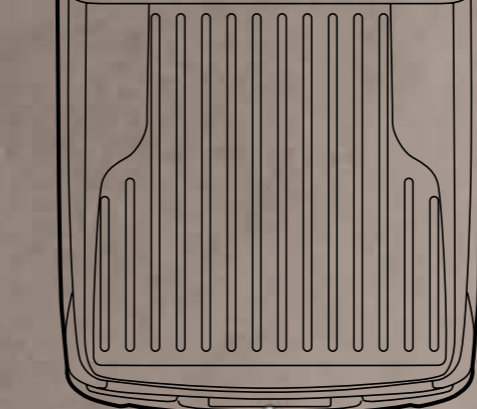
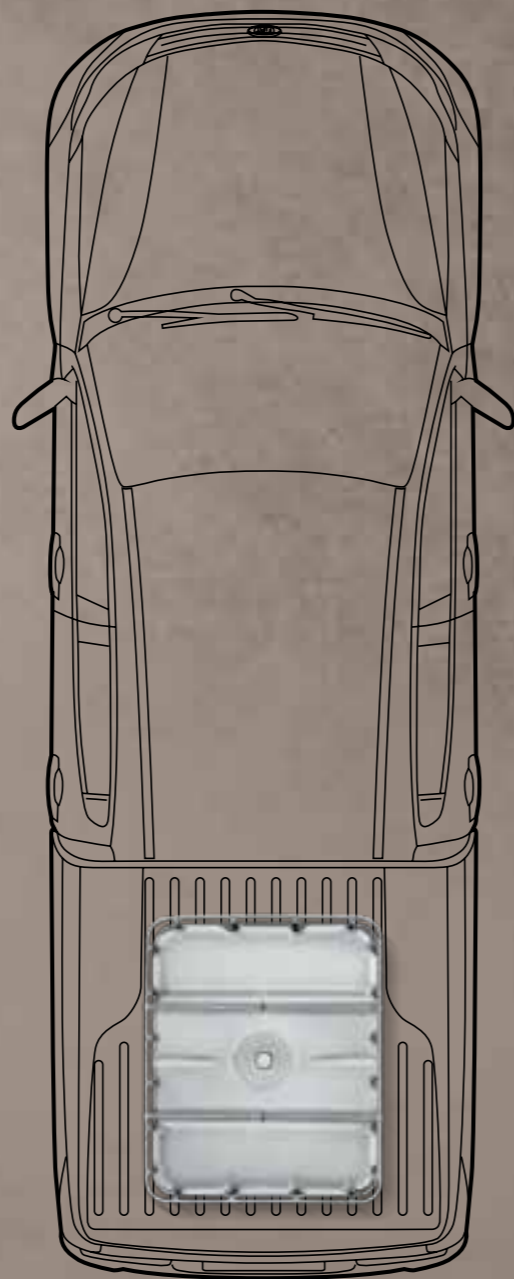


CARGO BED LENGTH UP TO 1.52 M

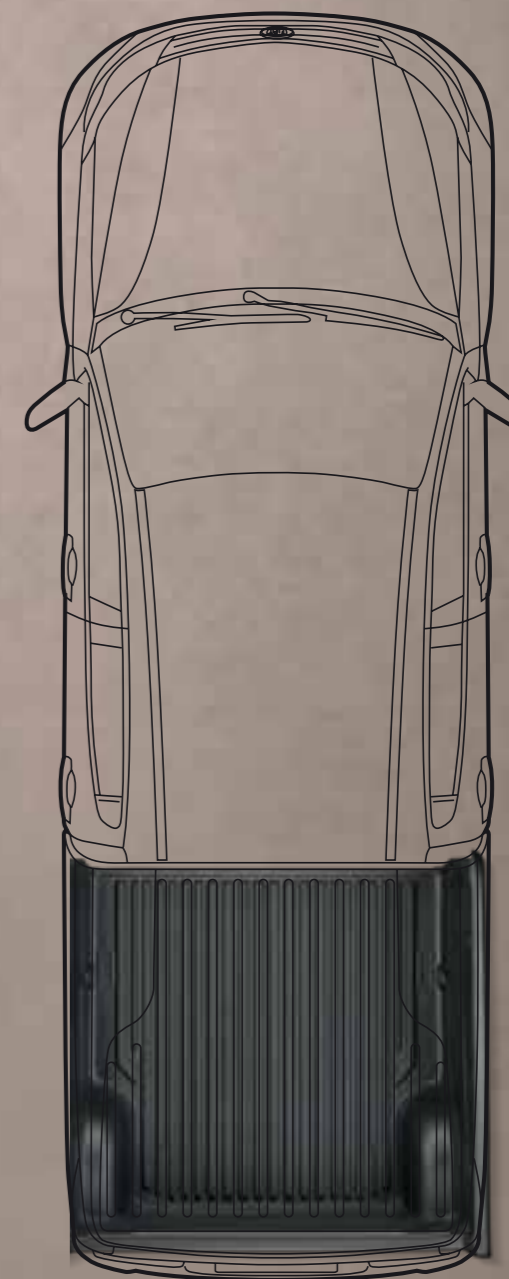


double cab

LOAD CAPACITY UP TO 1T



CUSTOMISABLE CARGO BED



TOWING CAPACITY UP TO 3100 KG



FULL
PERSONALITY

**TAILOR-MADE
TO YOUR NEEDS.**

SX MANUAL



- Active Stability Control
- Keyless Entry
- Start & Stop
- 16" Alloy Wheels
- Radio/CD/MP3 with Bluetooth®
- Electronic 4WD Selector (3 Steps)
- Cruise Control With Variable Speed Limiter
- Manual Climate Control
- Leather Steering Wheel & Gear Lever
- Front & Rear Armrest with Storage/Cup Holders
- Side Steps
- Front & Rear Foglights

LX MANUAL



- Active Stability Control
- Keyless Entry & Go
- 17" Alloy Wheels
- Electronic 4WD Selector (4 Steps)
- Alarm
- 6.1" Touchscreen DAB Radio with Sat Nav/CD/Mp3 Bluetooth® & USB Port
- Cruise Control With Variable Speed Limiter
- Dual-Zone Climate Control
- Lane Departure Warning System
- Leather Steering Wheel & Gear Lever
- Front & Rear Armrest with Storage/Cup Holders
- Side Steps
- Bi-Xenon Headlights
- 8-Way Electric Driver's Seat
- Leather interior
- Heated Front Seats
- Rear Bumper with Step

LX AUTOMATIC



- Active Stability Control
- Keyless Entry & Go
- 17" Alloy Wheels
- Electronic 4WD Selector (4 Steps)
- Alarm
- 7" Touchscreen DAB Radio with Sat Nav/CD/Mp3 Bluetooth® & USB Port
- Cruise Control With Variable Speed Limiter
- Dual-Zone Climate Control
- Lane Departure Warning System
- Leather Steering Wheel & Gear Lever
- Front & Rear Armrest with Storage/Cup Holders
- Side Steps
- Bi-Xenon Headlights
- 8-Way Electric Driver's Seat
- Leather interior
- Heated Front Seats
- Rear Bumper with Step
- Paddle Shifters with Sport Mode

*SAMPLE ONLY, FOR FULL SPECIFICATIONS PLEASE REFER TO STANDARD AND OPTIONAL EQUIPMENT PAGES



FULL
EQUIPMENT

**THERE'S NO
BETTER STYLE
THAN YOURS.**

BODY COLORS PASTEL



563 White



473 Red

MICA BODY COLOUR



555 Mica Black

UPHOLSTERY



Dark gray fabric
with black details

ALLOY WHEELS



16" alloy wheel

BODY COLORS METALLIC



480 Titanium Gray



462 Earth Green



17" alloy wheel



478 Brown



557 Pearl White



463 Impulse Blue



Black leather



**FULL
CUSTOMIZATION**

**PERSONALITY ALWAYS
MAKES THE DIFFERENCE.
EVEN AT WORK.**

FULLBACK is complete with a full range of accessories, all top quality, created by **MOPAR, THE REFERENCE BRAND FOR SERVICES, CUSTOMER CARE, GENUINE PARTS AND ACCESSORIES** for the brands of Fiat Chrysler Automobiles.



PROFESSIONAL



MOPAR

More care for your car

HARD TOP WITH SIDE POP-UP WINDOWS



HARD TONNEAU COVER WITH SPORT BAR



FULL BOX



SOFT TONNEAU COVER



ROOF BARS WITH FREEBOX



SIDE DOOR GARNISH



BED LINER UNDER RAIL TYPE WITH SPORT BAR



PROFESSIONAL

FULL

CARE

**AN ENTIRE NETWORK
AT YOUR SERVICE.**

FULLBACK is not just a work vehicle. It is also the vehicle that connects you to the large **FIAT PROFESSIONAL** network that is widespread, efficient and always willing to meet your needs and requirements. In short, choosing Fullback also means climbing on board a world of full-range services.

CIAO FIAT

Call CIAO FIAT* for information on products and services and to ask for roadside assistance (24 hours a day, 7 days a week).

*Remember to check the costs of the call if you call from abroad or from a mobile phone.



CIAO FIAT PROFESSIONAL MOBILE

Download FIAT PROFESSIONAL MOBILE, Fiat Professional's original app dedicated to motorists. You can have the services and help you need with you at all times.



SPECIAL SALES PROGRAMMES

Customised mobility solutions? Autonomy is aimed at people with reduced motor abilities and proposes specific trim levels for passenger transport vehicles, roadside assistance and financial services. It also offers comprehensive assistance in obtaining a special driving licence from Mobility Centres. Call freephone number 00 800 3428 00 00 to obtain full and complete information based on your needs.



MY FIAT PROFESSIONAL

Take care of your Fiat Professional in one click! Register now on myFiatProfessional to receive personalised advice, dedicated tools and exclusive promotions. Go to my.fiatprofessional.com



FINANCE PACKAGES AND INSURANCE SERVICES*

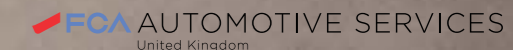
Fiat Financial Services provides both flexible Hire Purchase and Hire Purchase Balloon products to help make private and business customer's selected Fiat Professional model affordable.

Hire Purchase - benefit from a regular payment structure with outright ownership of your car at the end of the term. Simply choose the car you wish to purchase, the amount of deposit you want to pay and decide your agreement term of between 12 and 60 months. Any deposit is deducted from the price of your car. You make regular payments based on the remaining balance plus the agreement interest. Once all payments have been made, you will own your car outright.

Hire Purchase Balloon - this is the same as conventional Hire Purchase with one key difference - there is "balloon" payment deferred to the end of the agreement. This reduces the fixed regular payments. Simply choose the car you wish to purchase and decide your agreement term of between 12 and 48 months. Then choose the amount of the balloon payment that you will defer to the end of the agreement (subject to a maximum set by Fiat Financial Services). The balloon payment and any deposit are deducted from the price of your car. You make regular payments based on the remaining balance plus the agreement interest. At the end of the agreement, following the settlement of the balloon payment, you will own your car outright.

For Business Users the interest charges on both products may be allowable against tax and a proportion of your vehicles' value can be written down against profits, because it is an asset on your balance sheet. Please refer to your financial advisor or accountant to find out more.

*Finance facilities advertised are available to business customers and private customers aged 18 or over, subject to status. A guarantee and/or indemnity may be required. Fiat Financial Services is a trading style of FCA Automotive Services UK Ltd. Registered in England & Wales, No. 2739931. Registered office: 240 Bath Road, Slough, SL1 4DX. FCA Automotive Services UK Ltd is authorised and regulated by the Financial Conduct Authority (FRN 312683).



FIAT PROFESSIONAL CONTRACT HIRE**

Fiat Professional Contract Hire provides hassle free motoring for private and business customers without the burden of ownership and the duties that this involves - you benefit from low initial outlay, regular rentals and no worry about disposing of your vehicle at the end of the contract. You can also include a full maintenance package within the monthly rental. For more information please contact your Fiat Professional dealer. Written quotations available on request.

**Fiat Professional Contract Hire is a trading style of Leasys UK Ltd. Leasys UK Ltd is authorised and regulated by the Financial Conduct Authority (FRN 664865). Credit available to business customers and private customers aged 18 or over, subject to status. A guarantee may be required. Quotations are available from Fiat Professional Contract Hire, PO Box 4590, Slough, SL1 0WU.



ASSISTANCE AND MAINTENANCE SERVICES

MOPAR® VEHICLE PROTECTION offers a wide range of service contracts, approved by Fiat Professional, which are designed and tailor-made to take care of your vehicle. With MOPAR® VEHICLE PROTECTION you have the guarantee that all repair and maintenance operations are carried out by highly qualified and specialised technicians at Fiat Professional authorised dealers and repair shops, and that only original spare parts are used. Our service plans include a complete range of options in terms of duration and mileage, created to best meet your requirements. Also for Fiat Professional Mopar has developed essential contracts to keep your vehicle in peak condition at all times.



MAXIMUM CARE WARRANTY EXTENSION: MAXIMUM COVERAGE, ZERO WORRIES

Maximum Care protects your vehicle from faults to electromechanical components for up to five years. You can conveniently choose from different durations according to your needs. You can apply for Maximum Care Warranty at any Dealership or Authorised Workshop within two years from the beginning of the warranty providing that your vehicle has been subject to scheduled servicing as described in the Fiat Professional Owner Handbook.

EASY CARE: COMPLETE MAINTENANCE FOR YOUR VEHICLE

To follow the mandatory maintenance and that recommended by the manufacturer we have created Easy Care allowing you to purchase the scheduled serving operations in advance at a competitive price. You can choose to buy our service packages when you buy your new vehicle or before the first service coupon deadline.

TECHNICAL SPECIFICATION

TRACTION		4WD		
TRIM LEVEL		SX	LX MANUAL	LX AUTO
External length (mm)		5225	5305	5305
Exterior width (mm)		1785	1815	1815
Height (mm)		1775	1780	1780
Track	FR (mm)	1520	1520	1520
	RR (mm)	1515	1515	1515
Overhang	FR (mm)	865	865	865
	RR (mm)	1360	1440	1440
Wheelbase (mm)		3000	3000	3000
Bed Dimensions	Length (mm)	1520	1510	1510
	Width (mm)	1470	1470	1470
	Hight (mm)	475	475	475
Kerb weight (kg)		1855	1860	1860
Gross vehicle weight (kg)		2900	2905	2910
Seating capacity		5	5	5
Ground clearance (mm)		200	205	205
Cargo floor height (mm)		845	850	850
Departure angle (degrees)		22	22	22
Approach angle (degrees)		30	30	30

TECHNICAL SPECIFICATION

TRACTION		4WD		
TRIM LEVEL		SX	LX MANUAL	LX AUTO
ENGINE	Fuel system	Diesel, electronic common-rail direct injection (centre aligned across all three versions)		
	Displacement cc	2442	2442	2442
	Max output (EEC net) HP	113 (150)	133 (180)	133 (180)
	Max Torque (EEC net) Nm	380	430	430
	Emission level	Euro 6		
	Fuel Supply system	Elettronic Common Rail Direct Injection		
TRANSMISSION	Type	6-speed manual	6-speed manual	5-speed automatic
STEERING	Type	Rack and pinion, power assisted		
	Min. turning circle	11.8m		
BRAKES	Front	16" Ventilated Disc		
	Rear	11.6" Leading and trailing drums		
SUSPENSIONS	Front	wishbone, coil springs		
	Rear	Rigid ecliptic leaf springs		
WHEELS	Tyres	205R16C	245/65R17	
WEIGHTS - CAPACITIES	Towing (with brake) kg	3100	3100	3100
	Towing (without brake) kg	750	750	750
	Fuel tank capacity l	75		
PAYLOAD (kg)		1045	1045	1050
PERFORMANCE	Max Speed mph	105	111	111
	Fuel Consumption combined mpg	40.9	39.8	37.7
	CO ₂ Combined g/km	180	186	196

Data correct as of publication date, and is subject to change in view of constant product development. Please contact your local dealer for the most up to date information.

STANDARD AND OPTIONAL EQUIPMENT

		2.4 L Diesel 150 HP 6MT S&S	2.4 Diesel 180 6MT	2.4 Diesel 180 5AT	
		4WD			
		SX	LX MANUAL	LX AUTO	
Line and style	Body Coloured Front Bumper	•	•	•	
	Black Door Mirrors and Handles	•	-	-	
	Chrome Door Mirrors and Handles, Including Rear Gate Handle	-	•	•	
	Door Mirrors Integrated Indicators	-	•	•	
	Rear Tinted Windows	-	•	•	
	Leather Steering Wheel with Audio Commands	•	•	•	
	Leather Interiors	-	•	•	
	16" Alloy Wheels	•	-	-	
	17" Alloy Wheels	-	•	•	
	Black Front Grille	•	-	-	
	Chrome Front Grille	-	•	•	
	Black Rear Under-Guard	•	•	•	
	Body-Coloured Wheelarch Extensions	-	•	•	
	Rear Bumper with Step	-	•	•	
	Front & Rear Mud Guards	•	•	•	
	Double -Walled Load Bed and Tailgate	•	•	•	
	Load Bed Inner Hooks x6	•	•	•	
	Metallic or Perlescent (Mica) Paint	○	○	○	
	Safety and security	7 Airbags (Front, Side, Curtain, and Driver's Knee)	•	•	•
		Electronic Stability Control (ESC) with ABD+EBD & Brake Assist	•	•	•
ISO-FIX Child Seat Mountings on Rear Seats X2		•	•	•	
Speed- Sensitive Automatic Door Locks		-	•	•	
Hill Start Assist		•	•	•	
Trailer Stability Assist (TSA)		•	•	•	
Front Fog Lights		•	•	•	
Day Time Running Lights		•	-	-	
Day Time Running Lights LED Type		-	•	•	
Lane Departure Warning System		-	•	•	
Front Seat Belt Pretentioners		•	•	•	
3-point Rear Seat Belts		•	•	•	
Rear Head Restraints		•	•	•	

STANDARD AND OPTIONAL EQUIPMENT

		2.4 L Diesel 150 HP 6MT S&S	2.4 Diesel 180 6MT	2.4 Diesel 180 5AT
		4WD		
		SX	LX MANUAL	LX AUTO
Safety and security	Immobilizer	•	•	•
	Side Impact Bars	•	•	•
	Alarm (T1)	-	•	•
Comfort and functionality	Remote Central Door Locking	•	•	•
	Start & Stop	•	-	-
	Heavy Duty Rear Suspension	•	-	-
	Front & Rear Electric Windows	•	•	•
	Door Mirrors Electrically Adjustable, Heated & Folding	-	•	•
	Keyless Entry	•	-	-
	Keyless Entry & Go (Ignition)	-	•	•
	Rear View Camera	-	•	•
	Manual Air Conditioning	•	-	-
	Automatic Dual-Zone Climate Control	-	•	•
	4WD Electronic Selector with 3 Modes	•	-	-
	4WD Electronic Selector with 4 Modes	-	•	•
	Halogen Headlights with Black bezel	•	-	-
	Bi-xenon Headlights with Chrome Bezel	-	•	•
	Rain & Dusk Sensors	-	•	•
	Heated Front Seats	-	•	•
	Manually Adjustable Drivers's Seat	•	-	-
	Electrically Adjustable Driver's Seat	-	•	•
	Cruise Control with Speed Limiter	•	•	•
	Steering Wheel with Tilt Adjustments	•	-	-
	Steering Wheel with Tilt and Telescopic Adjustments	-	•	•
	Steering Wheel Paddle Shifters with Sport Mode	-	-	•
	Headlights Washers	-	•	•
Front Central Armrest with Storage Compartment	•	•	•	
Rear Central Armrest With Cup Holders	•	•	•	
Full Size 16" Alloy Spare Wheel	•	-	-	
Full Size 17" Alloy Spare Wheel	-	•	•	
Other items	Bluetooth Hands-Free Telephone Connection with Audio Streaming	•	•	•
	Radio/CD Player with 4 Speakers	•	-	-
	6.1" Touchscreen DAB Radio with Sat Nav/CD/MP3 and 6 Speakers	-	•	-
	7.1" Touchscreen DAB Radio with Sat Nav/CD/MP3 and 6 Speakers	-	-	•
	USB Port	•	•	•

Data correct as of publication date, and is subject to change in view of constant product development. Please contact your local dealer for the most up to date information.

- not available • standard ○ optional



FULL

RANGE

A PRO LIKE YOU.

Recognizing a real pro is simple: just look at the equipment he has chosen for himself. Real pros work with pro tools only. That's why **FIAT PROFESSIONAL** is the best partner you could have, whatever your needs are. Its full **RANGE IS THE FIRST AND ONLY ONE BRANDED "PROFESSIONAL"** and it has been especially designed for specific purposes: yours.



FIORINO

The vehicle that invented the category. Unequaled in agility and capability. Cities love it. And so do the pros.



TALENTO

Agile, capable and ingenious. It's got the unique talent of transforming problems into solutions and challenges into opportunities. Day by day.



DUCATO

It's the undisputed leader in the world of work: the ground it's based upon. Strong, versatile and indispensable to everyone.



FULLBACK

There's no terrain that can scare it. There's no challenge it can't win. At work. And after.



DOBLÓ

You couldn't ask for a better way to work. You couldn't ask for a better business card. Simply unique. Just like your job.



THE NEW FIAT PROFESSIONAL RANGE. WORK NEVER STOPS.



BUILT TO WORK 24/7.

Trim levels and optionals may vary according to specific market or legal requirements. The data provided in this publication are indicative only. FCA reserves the right to make modifications to the models described herein at any time for technical or commercial reasons. Fiat Marketing 04.3.0000.52 - S - 07/2017 - Printed in Italy - SO - Printed on chlorine-free paper.



A PRO LIKE YOU